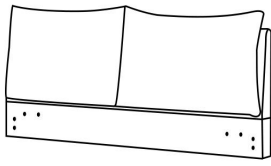
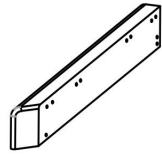


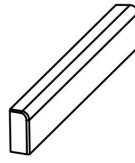
Ⓐ x1



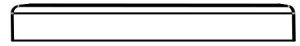
Ⓑ x1



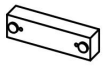
Ⓒ x1



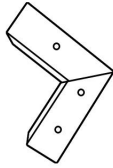
Ⓓ x1



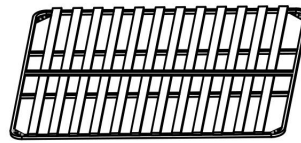
Ⓔ x2



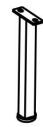
Ⓔ<sub>2</sub> x4



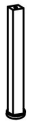
Ⓕ x1



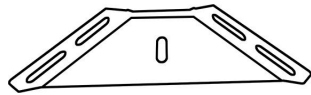
Ⓖ x2



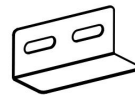
Ⓕ x4



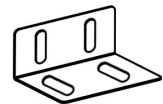
Ⓖ x4



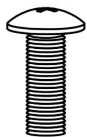
Ⓖ x4



Ⓖ x4



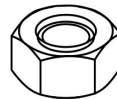
Ⓖ x42



Ⓖ x8



Ⓖ x4



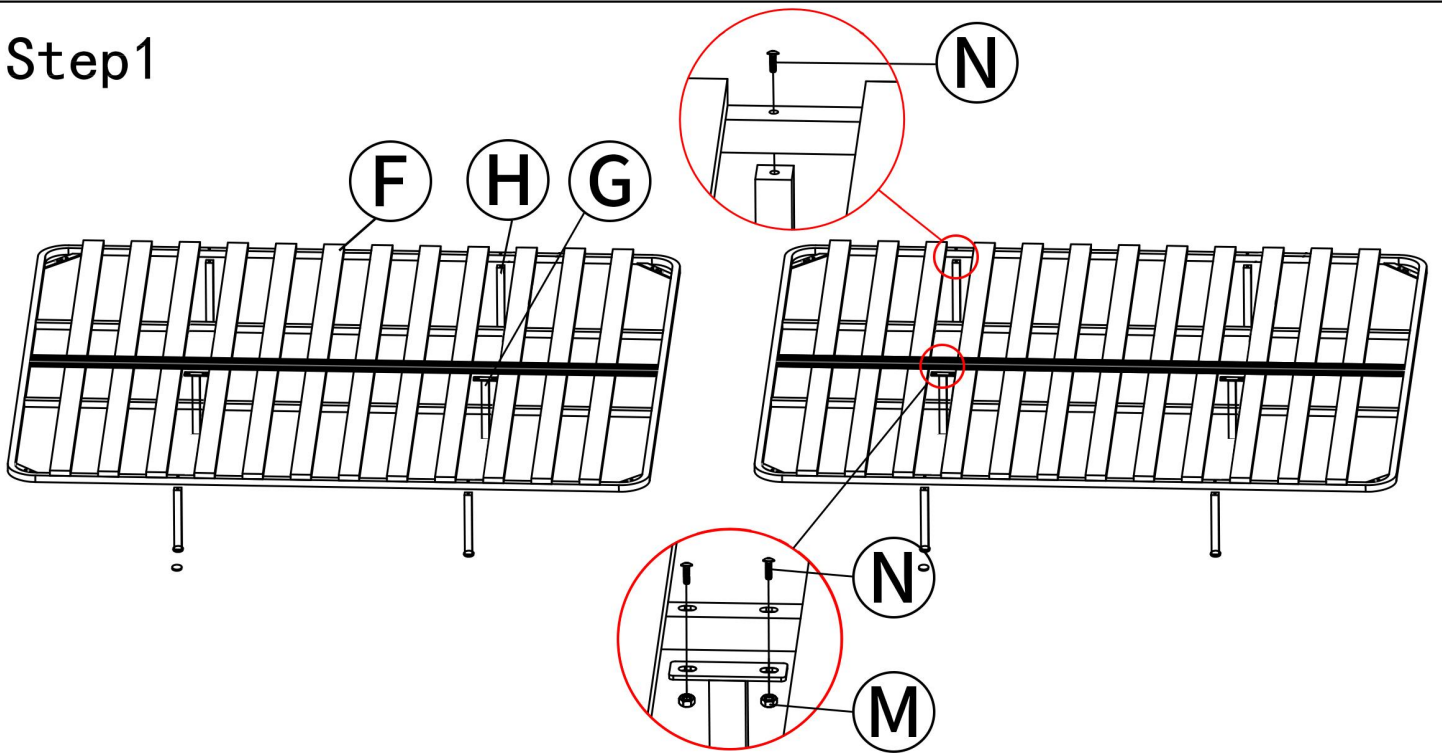
Ⓖ x20



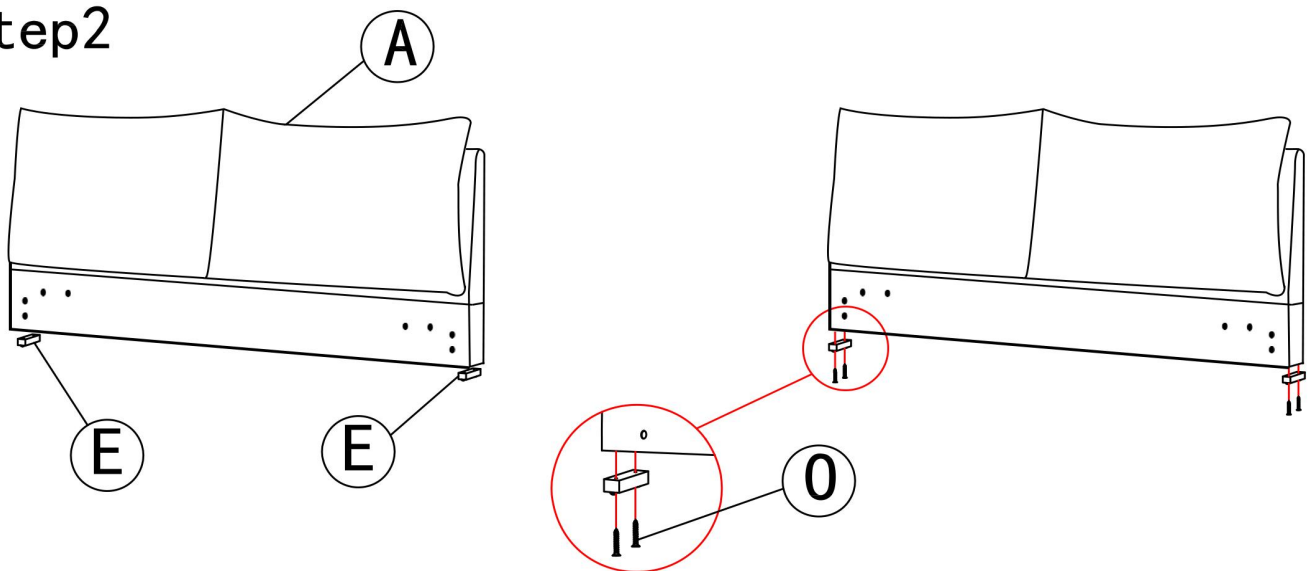
Ⓖ x12



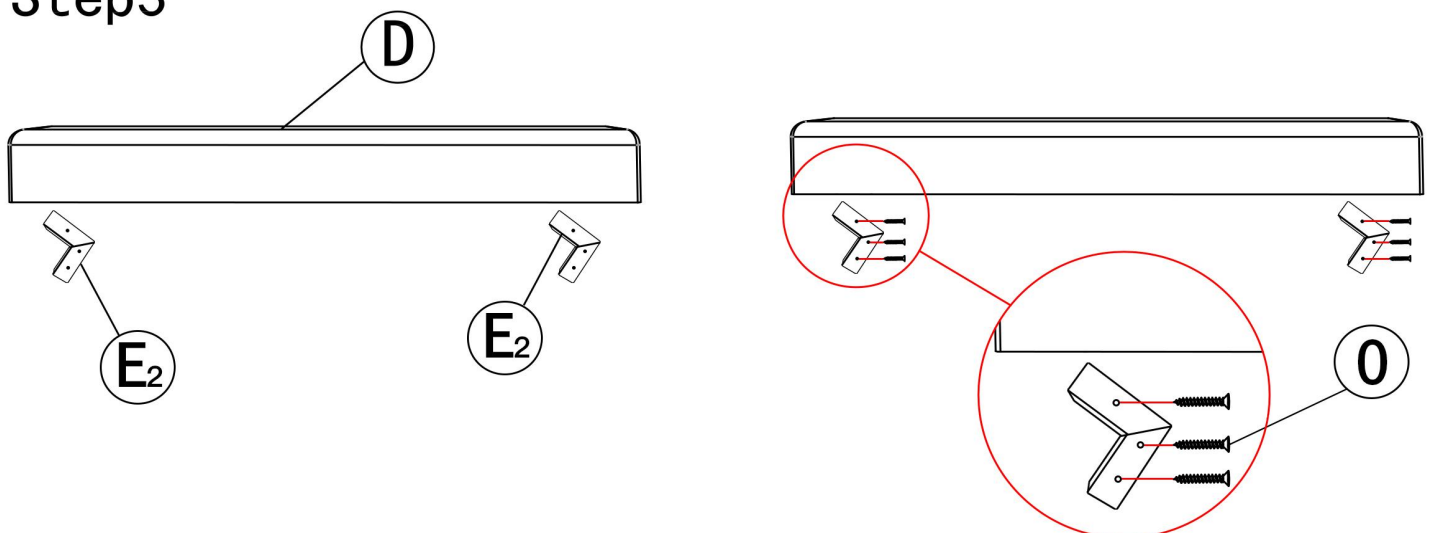
# Step1



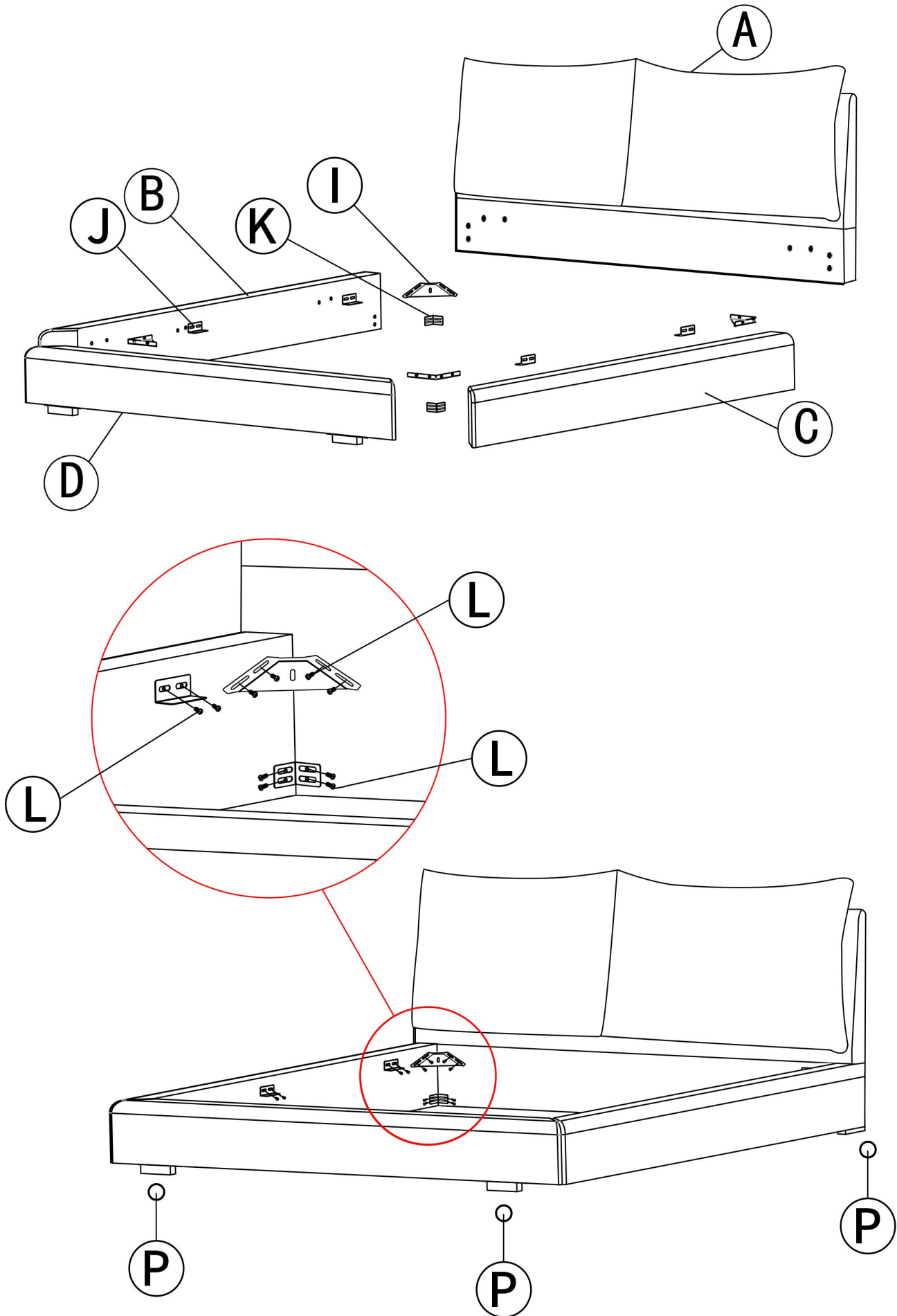
# Step2



# Step3



# Step4



# Step 5

