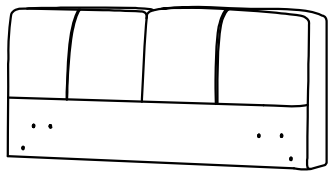
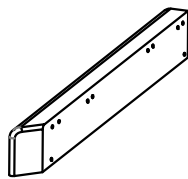


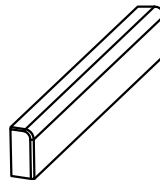
Ⓐ x1



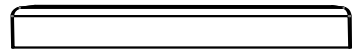
Ⓑ x1



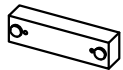
Ⓒ x1



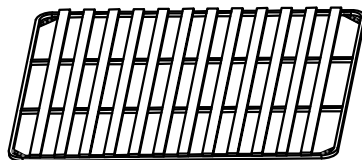
Ⓓ x1



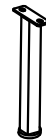
Ⓔ x4



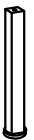
Ⓕ x1



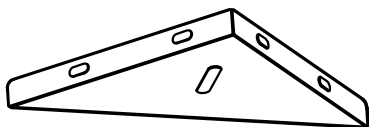
Ⓖ x4



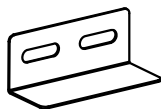
Ⓖ x4



Ⓘ x4



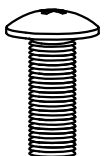
⓵ x4



⓶ x4



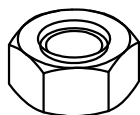
⓷ x32



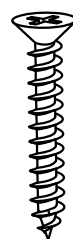
⓸ x14



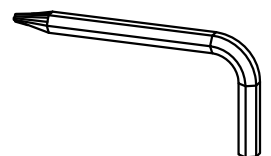
⓹ x8



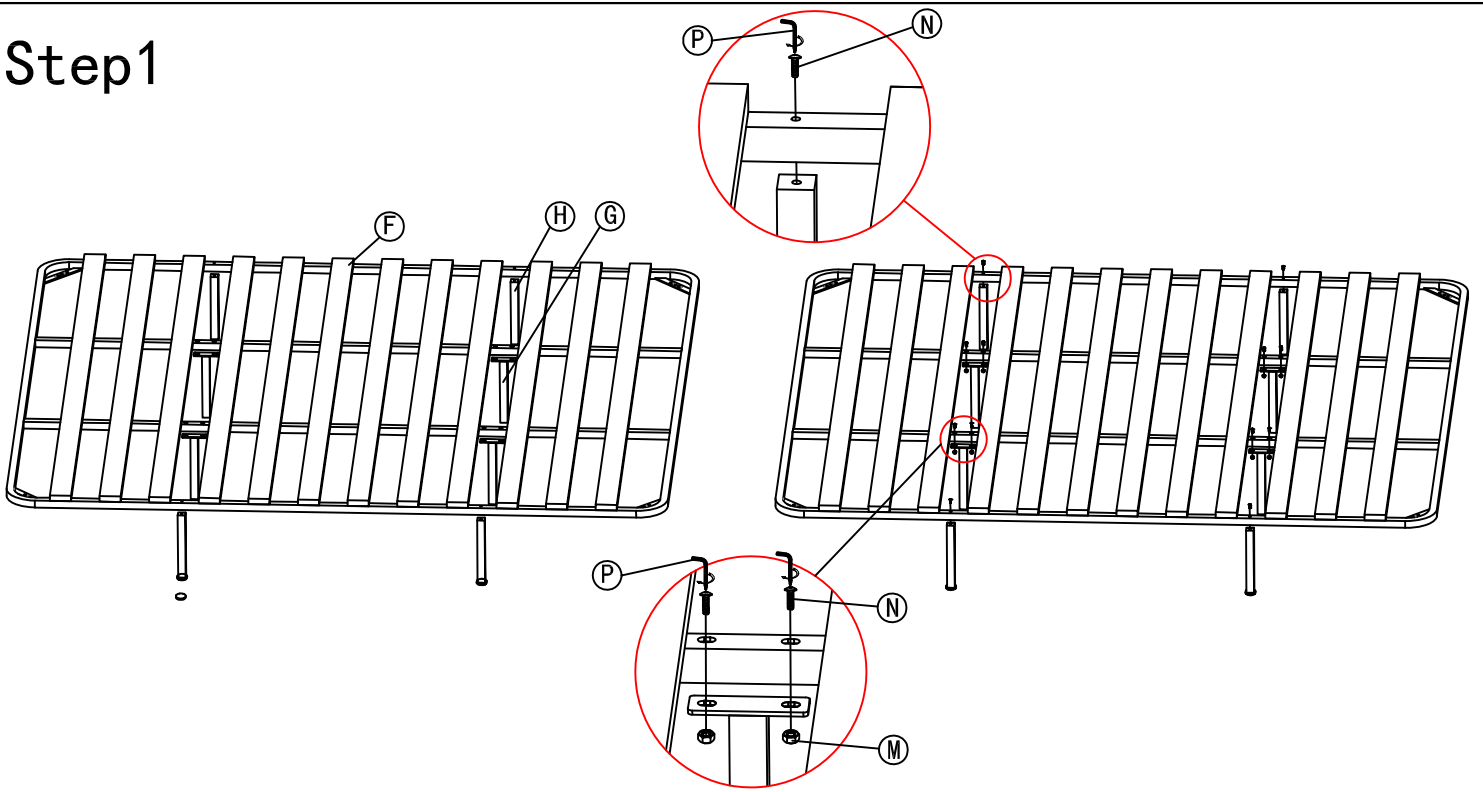
⓺ x8



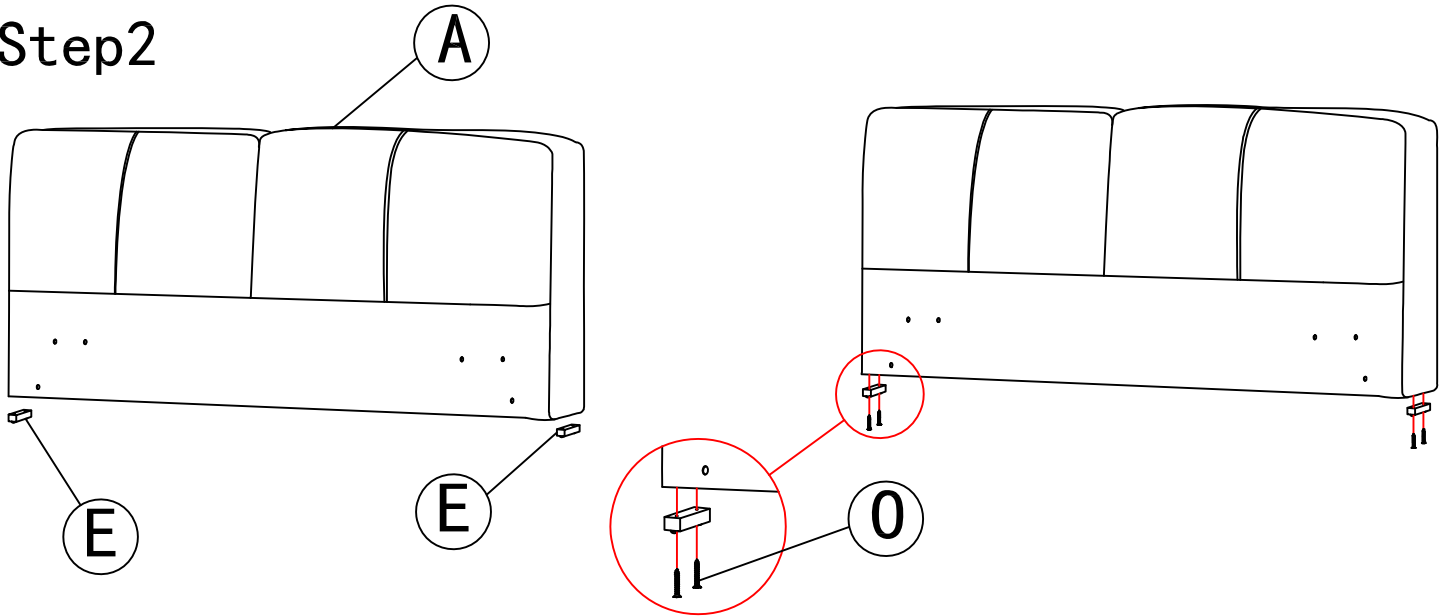
⓻ x1



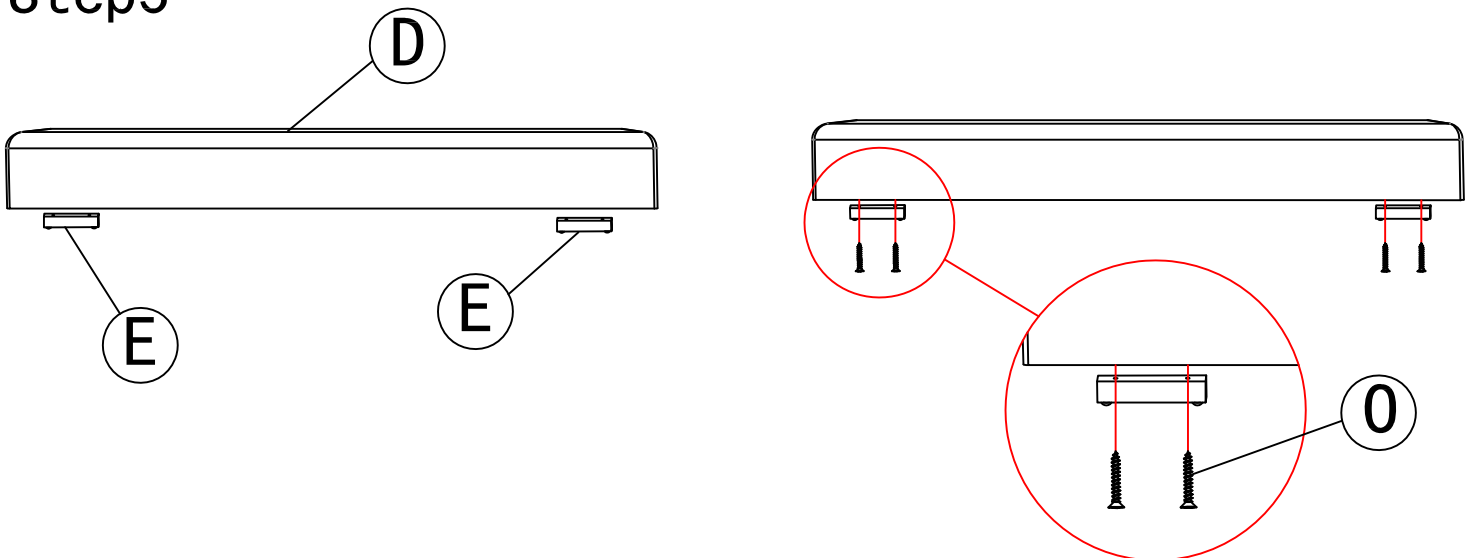
Step1



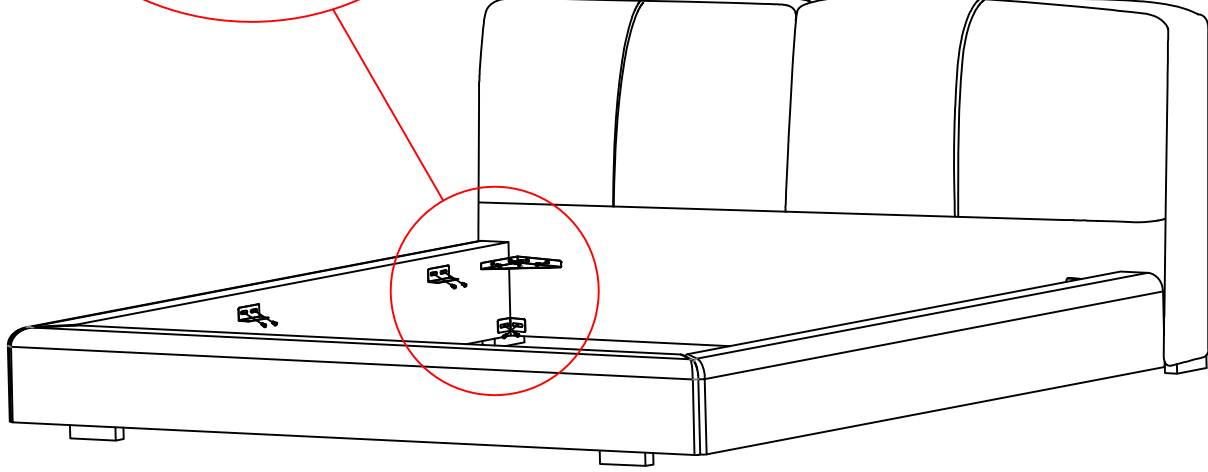
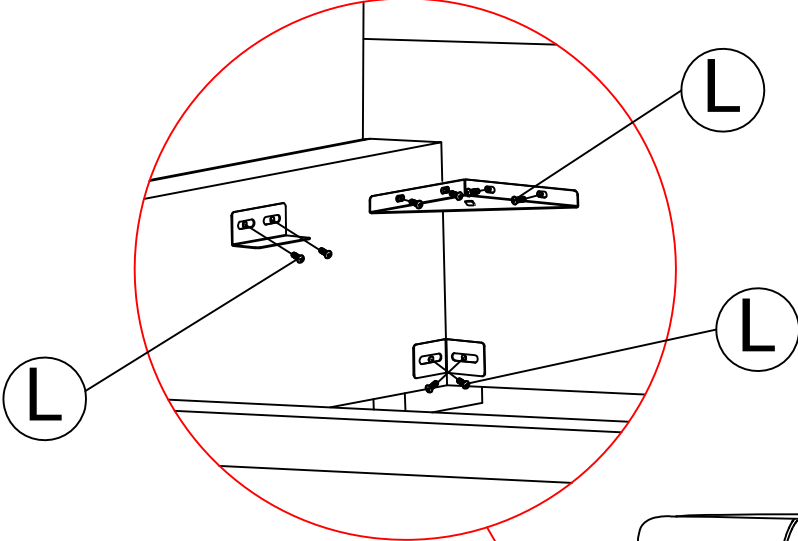
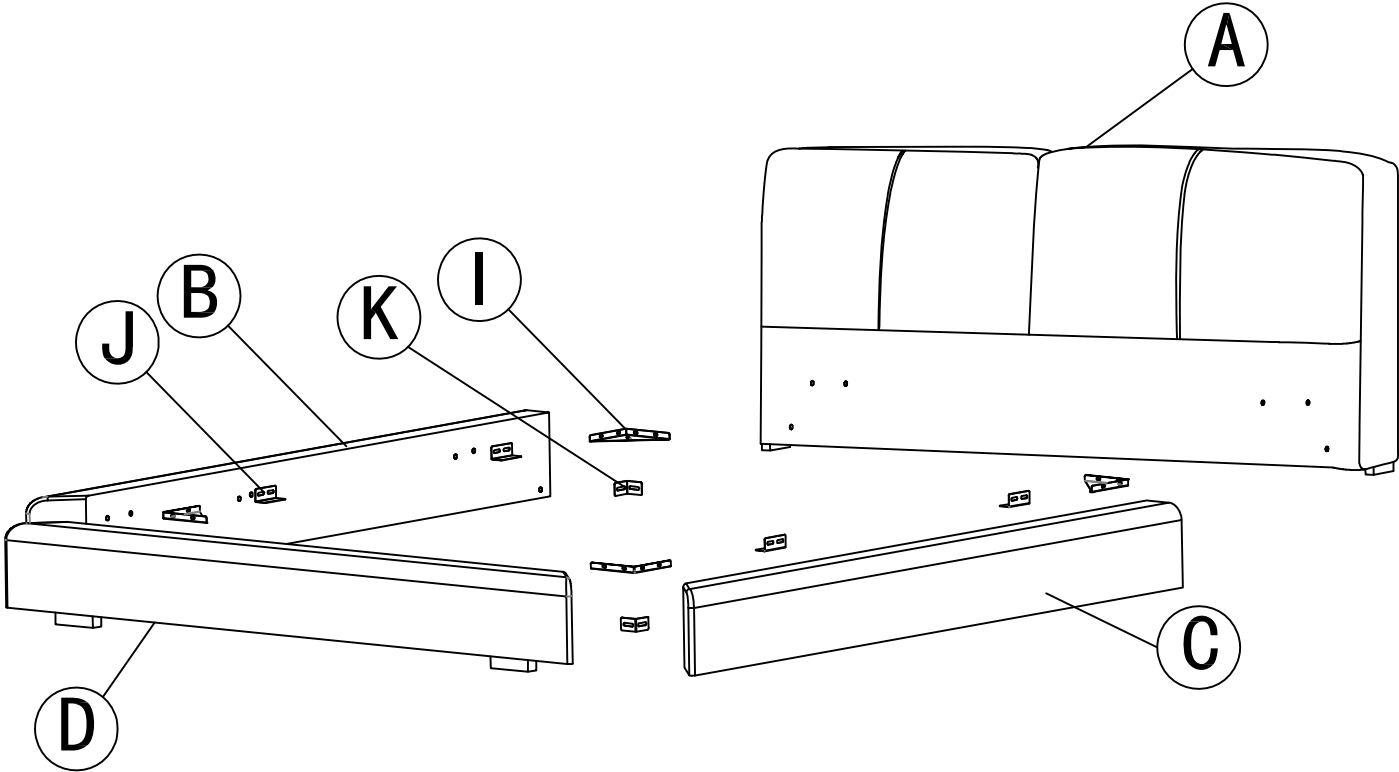
Step2



Step3



Step4



Step5

