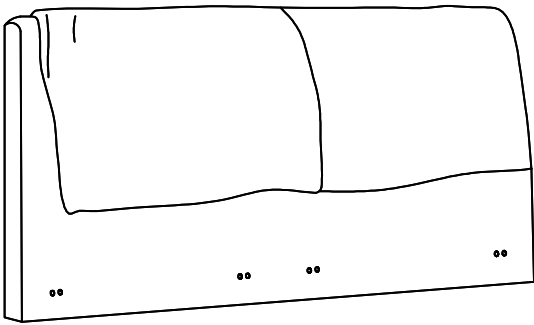
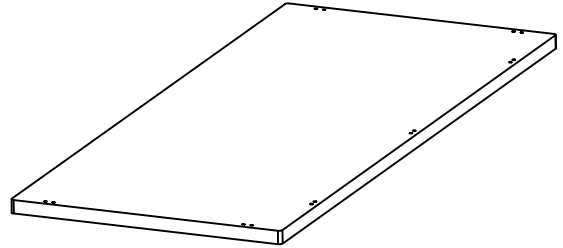


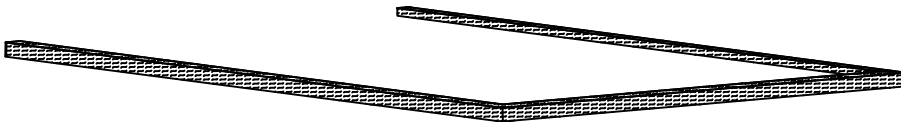
Ⓐ x1



Ⓑ x2



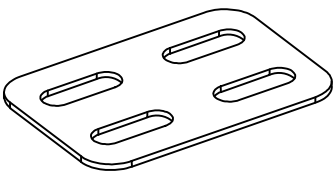
Ⓒ x1 Cloth covers



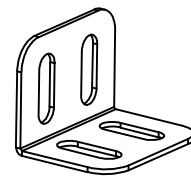
Ⓓ x15



Ⓔ x3



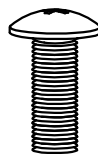
Ⓕ x4



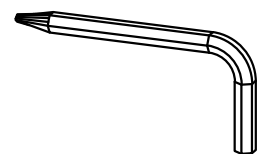
Ⓖ x15



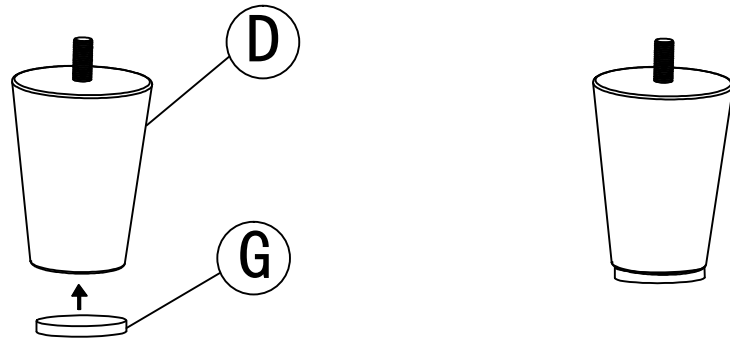
Ⓗ x28



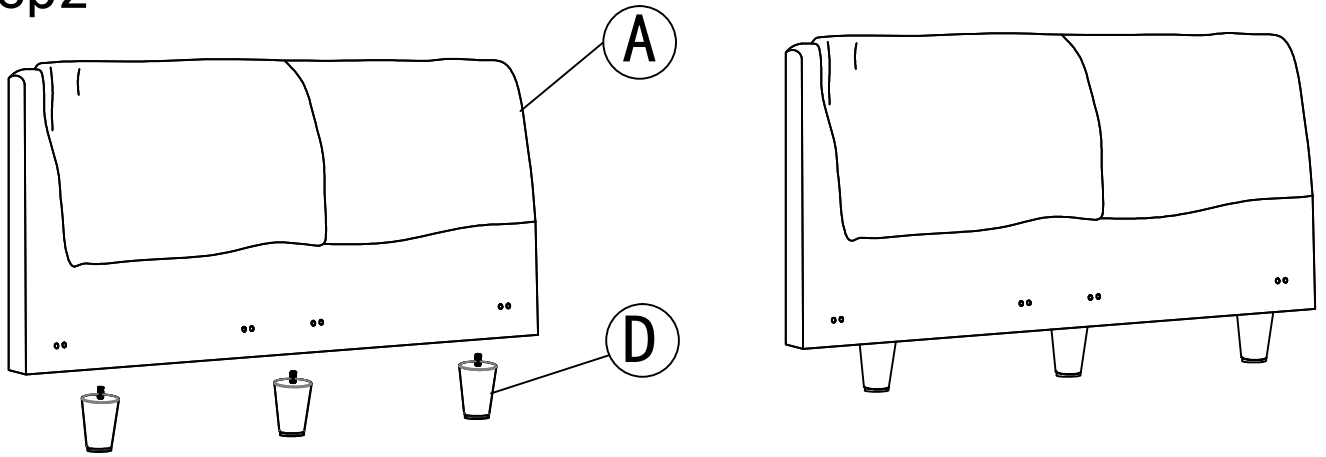
Ⓘ x1



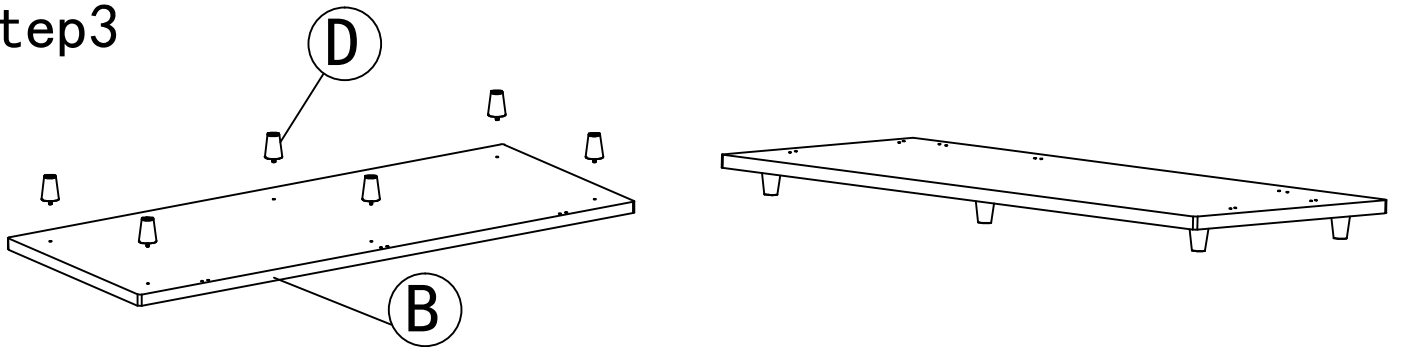
Step1



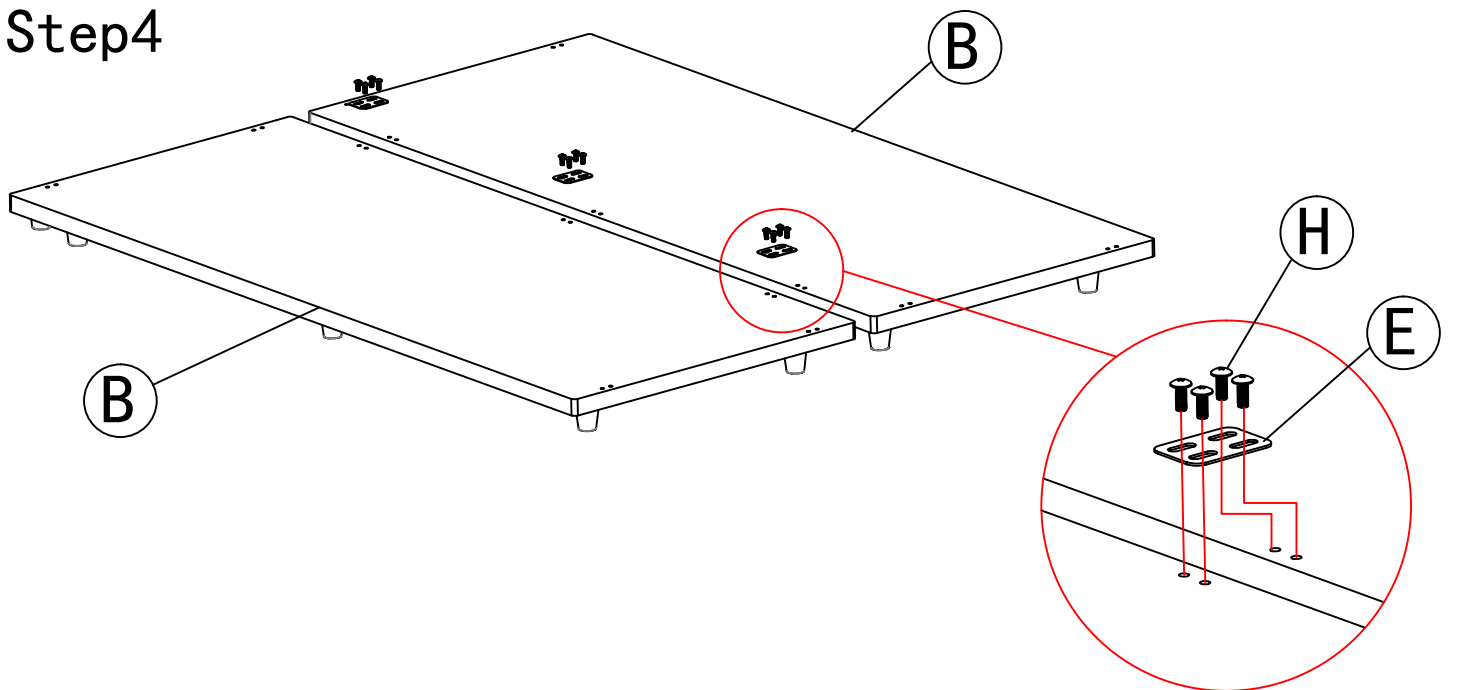
Step2



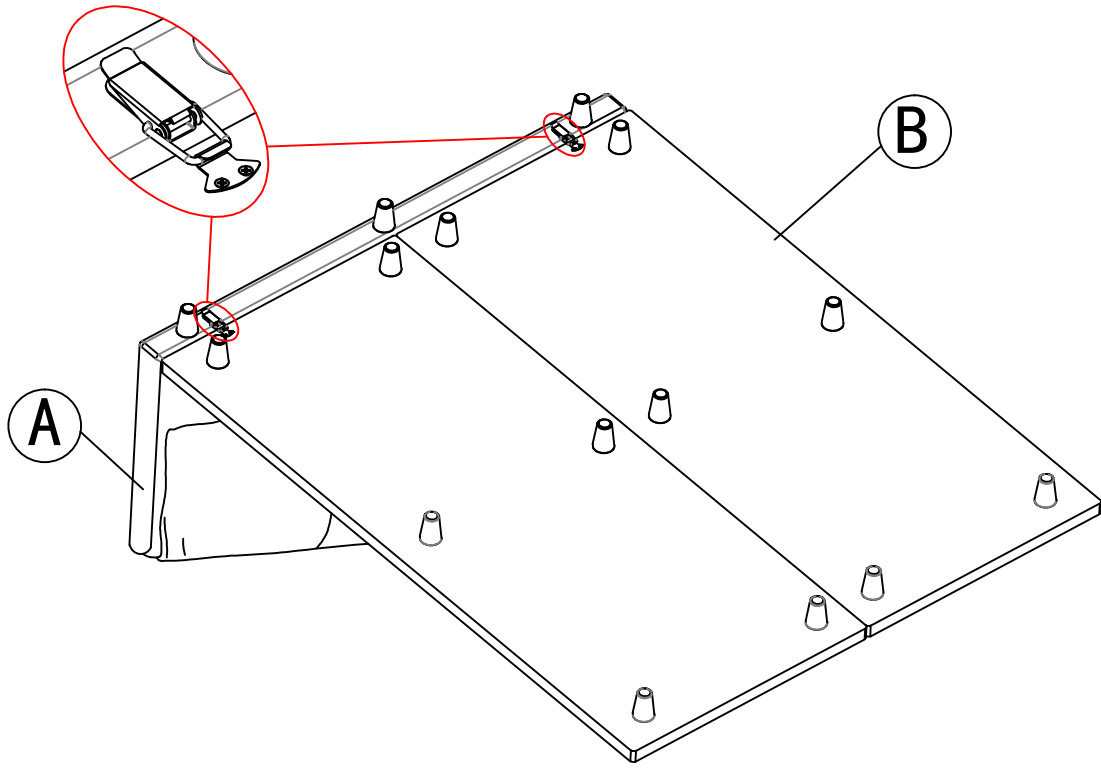
Step3



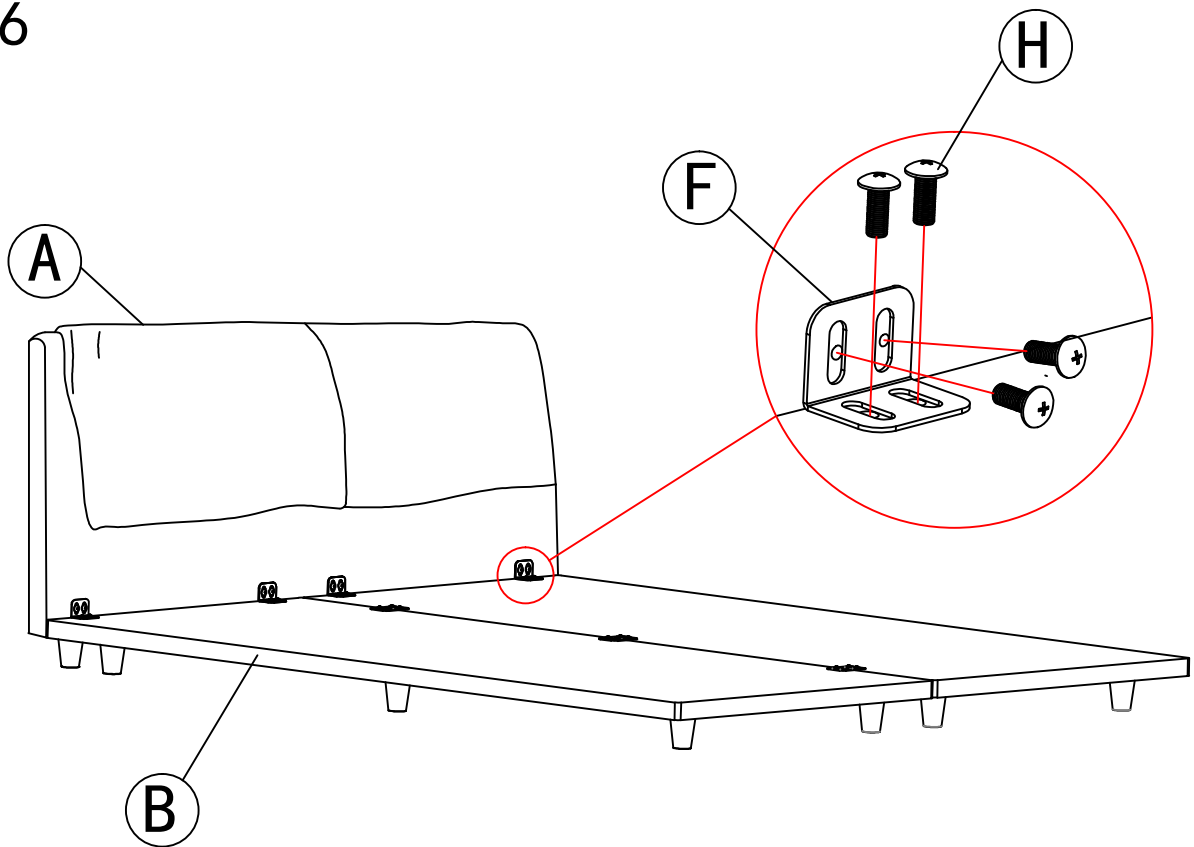
Step4



Step5



Step6



Step 7

