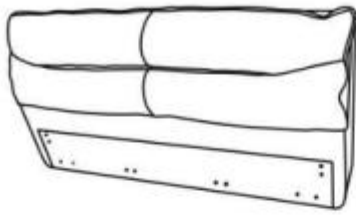


(A) x1



(B) x1



(C) x1



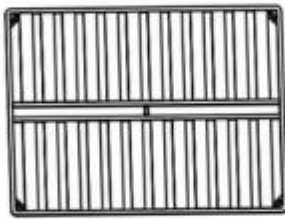
(D) x1



(E) x3



(F) x1



(G) x4



(H) x2



(I) x2



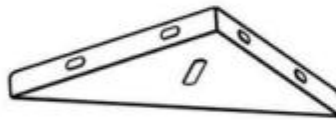
(J) x1



(K) x1



(L) x6



(M) x4



(N) x2



(O) x72



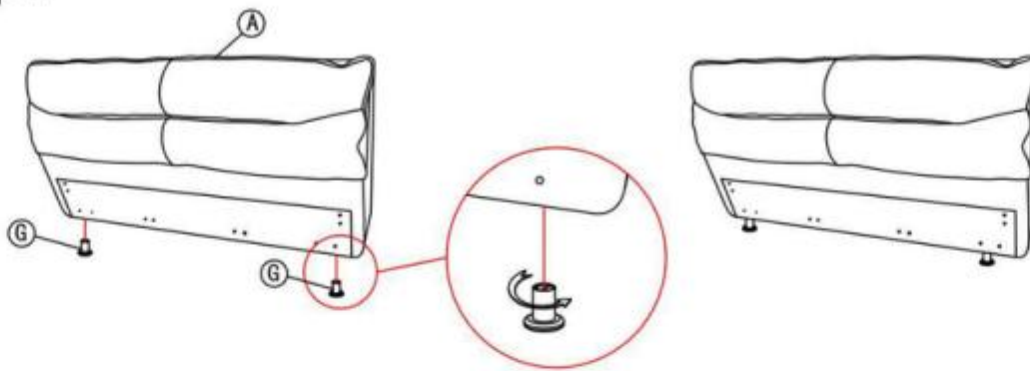
(P) x8



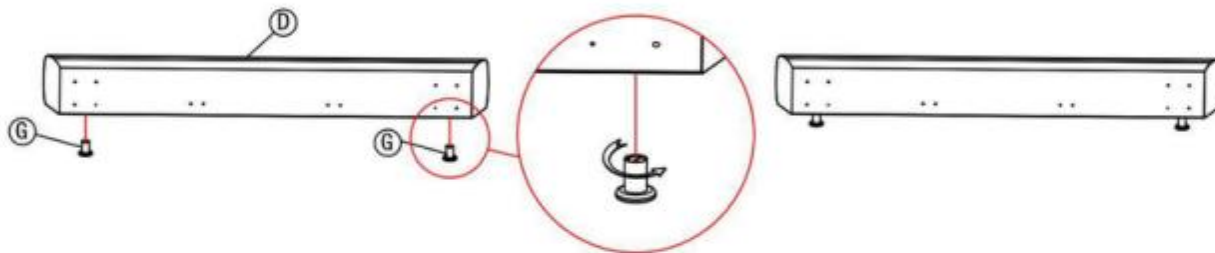
(Q) x8



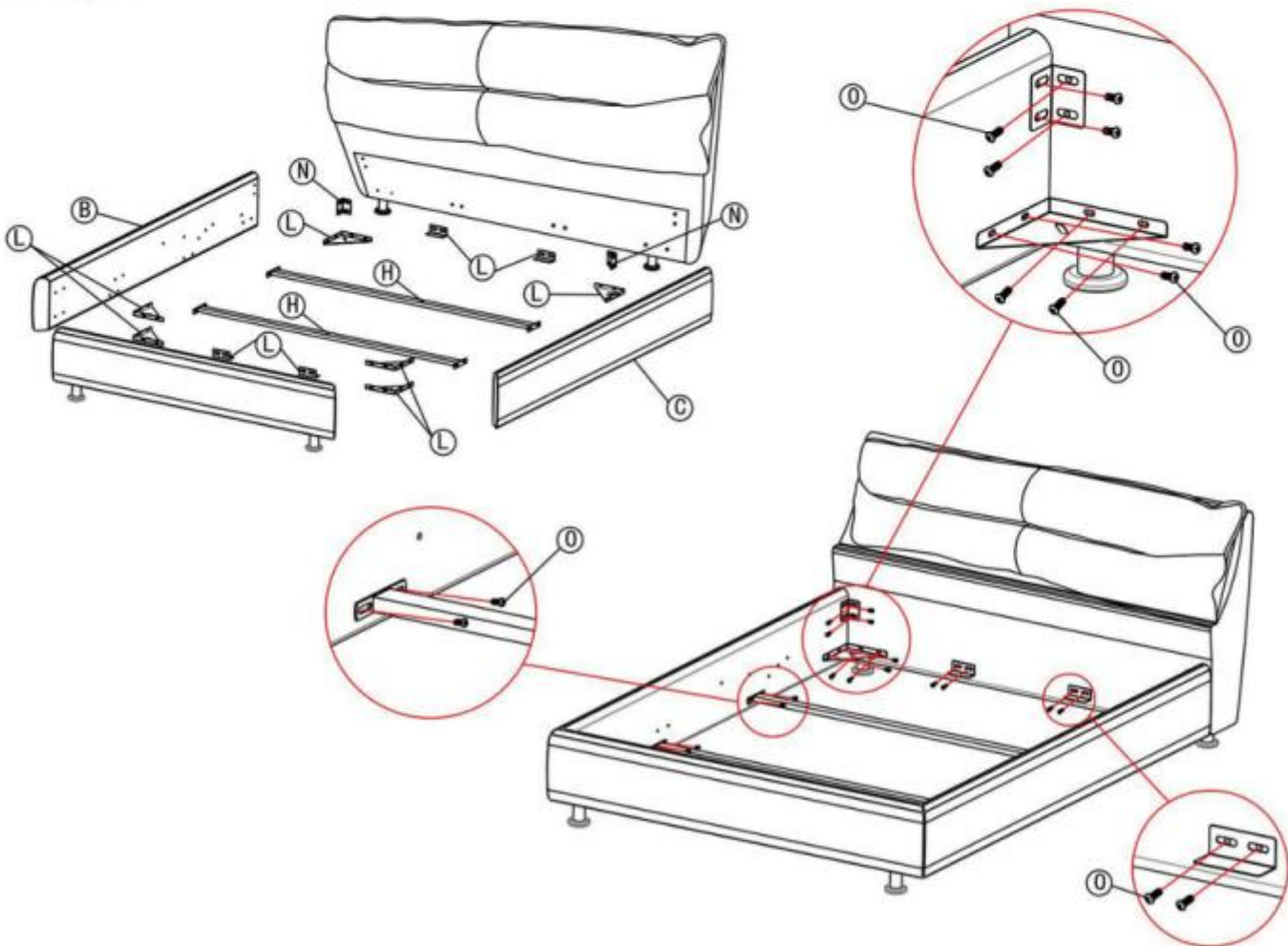
Step1



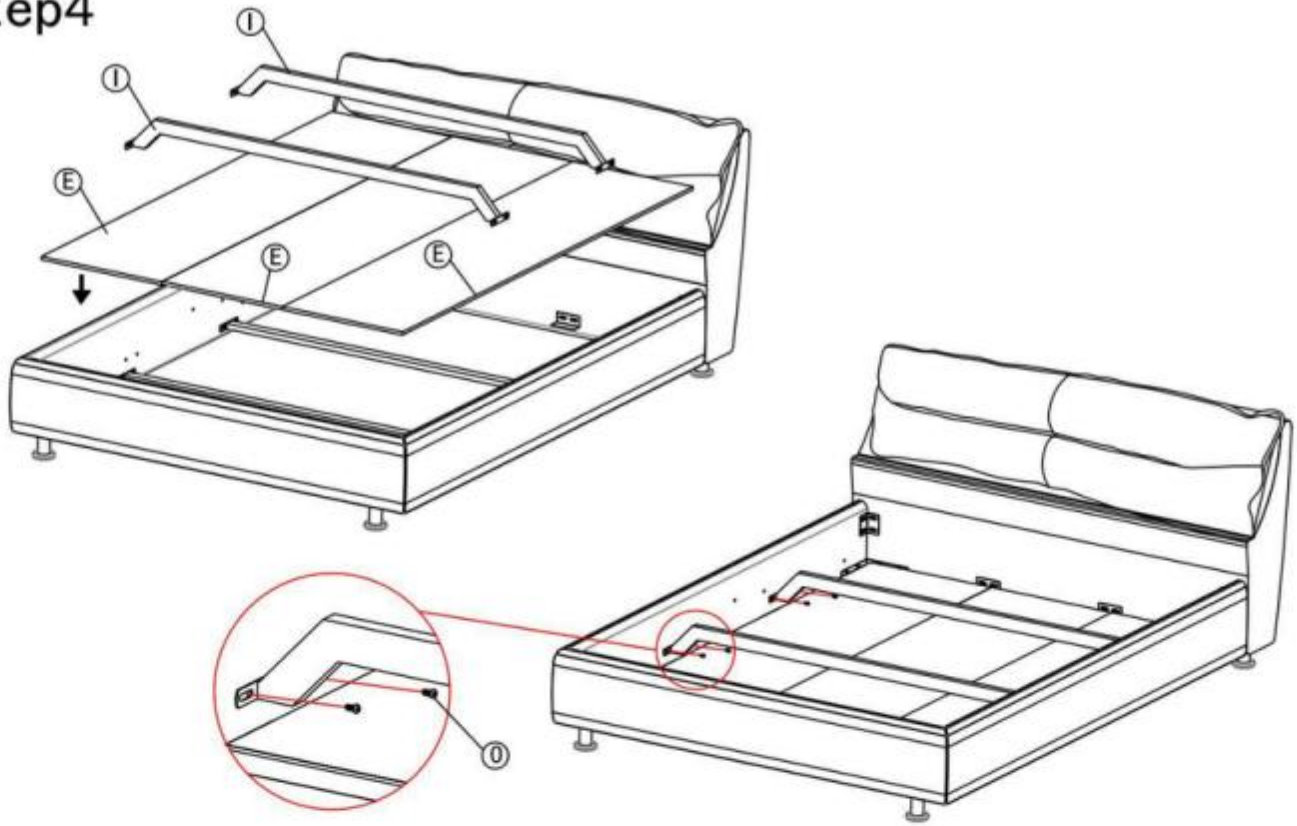
Step2



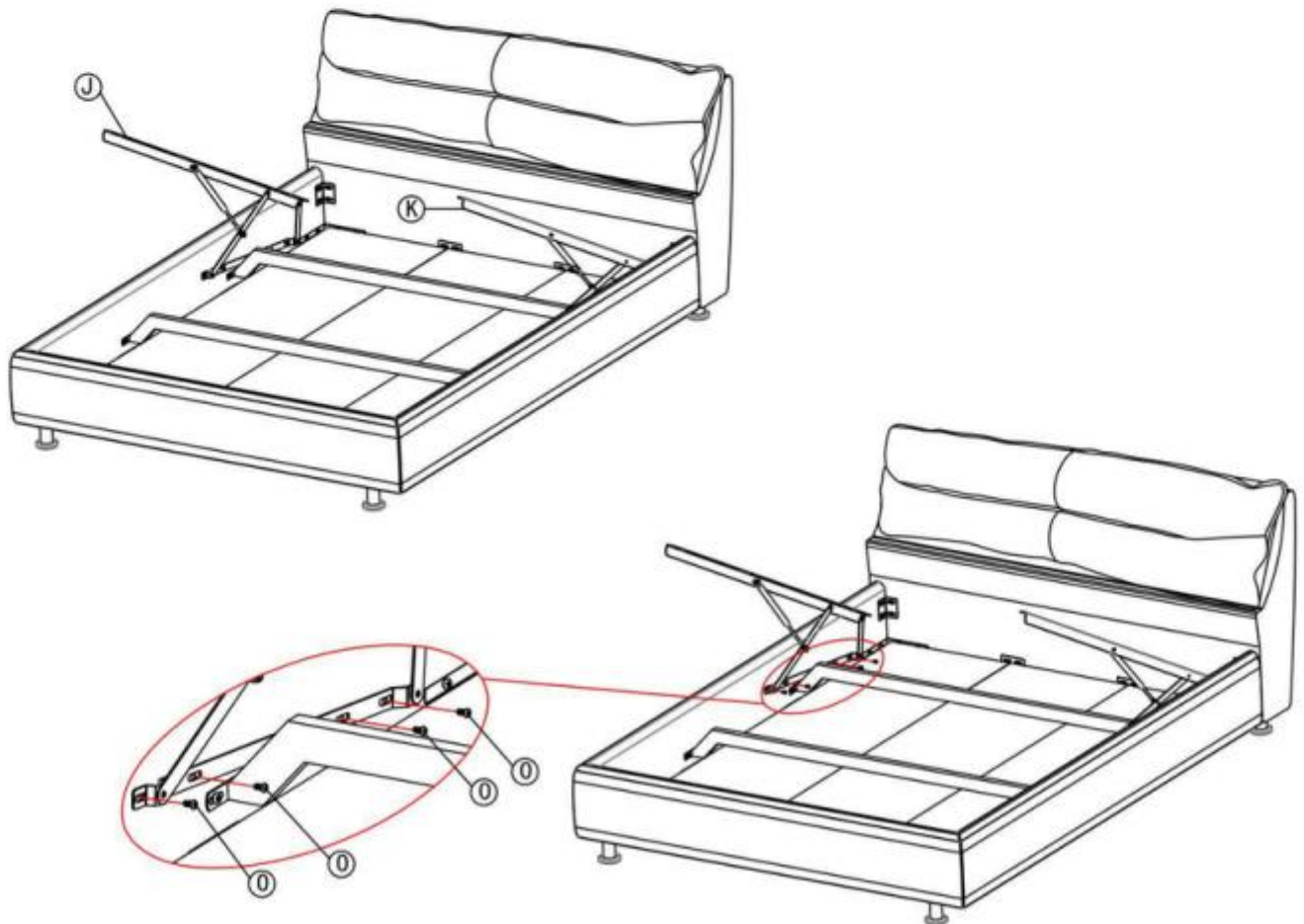
Step3



Step4



Step5



Step5

