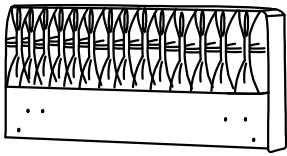
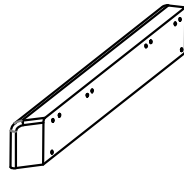


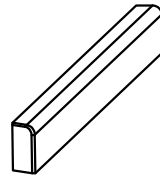
Ⓐ x1



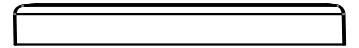
Ⓑ x1



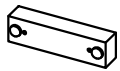
Ⓒ x1



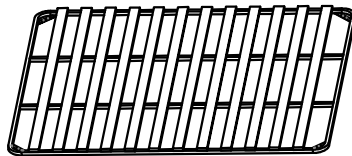
Ⓓ x1



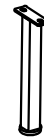
Ⓔ x4



Ⓕ x1



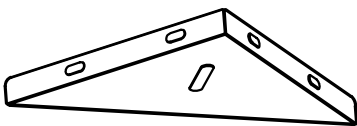
Ⓖ x4



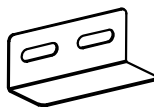
Ⓖ x4



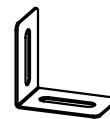
Ⓘ x4



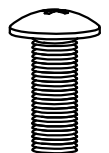
Ⓙ x4



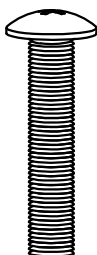
Ⓚ x4



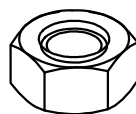
Ⓛ x32



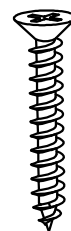
Ⓝ x14



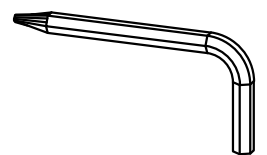
Ⓞ x8



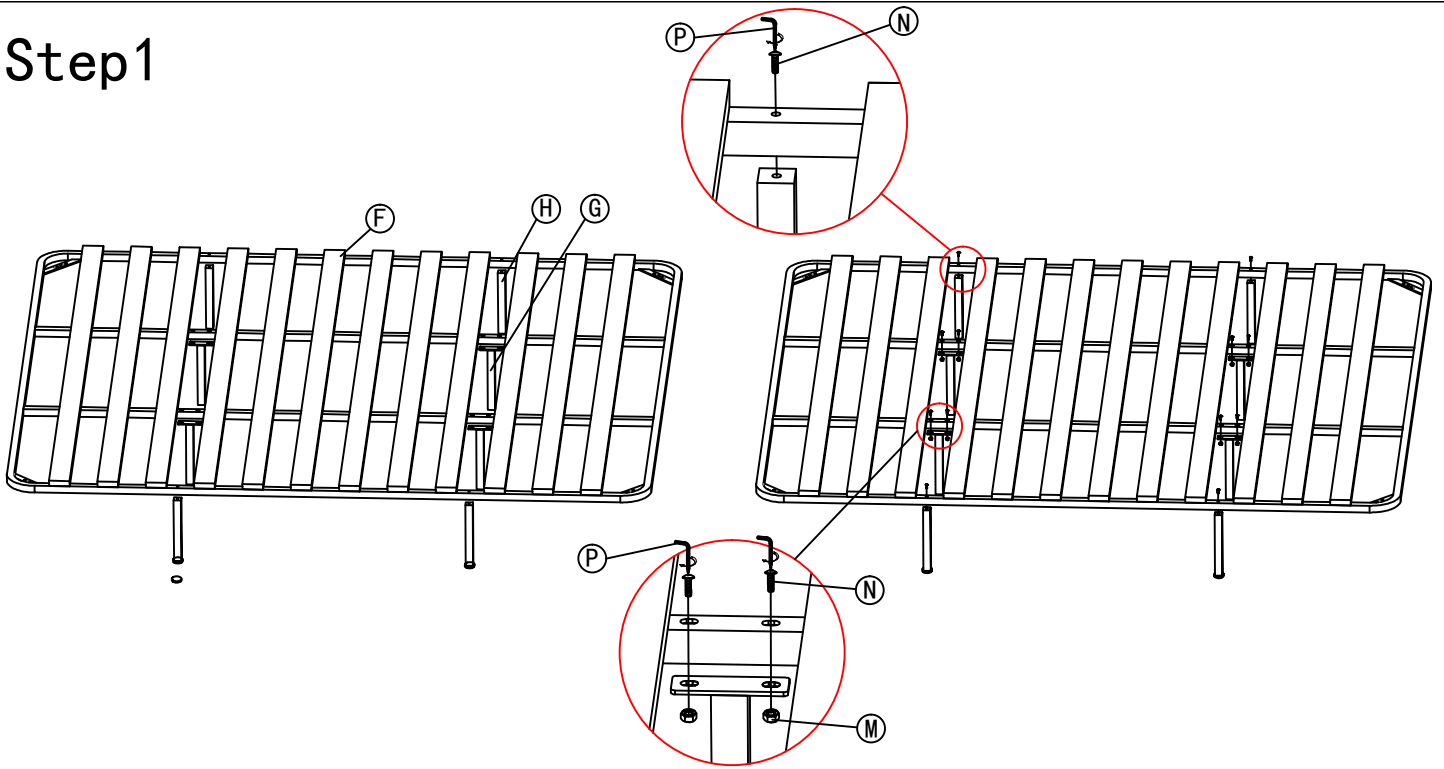
Ⓟ x8



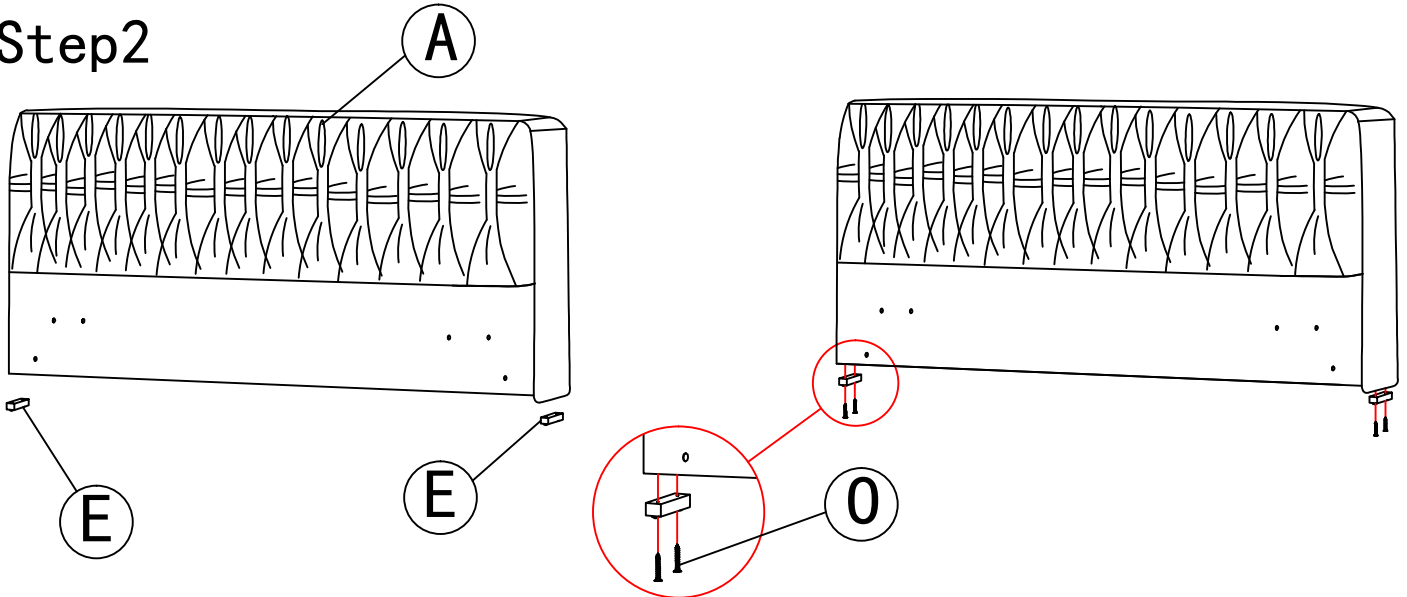
Ⓟ x1



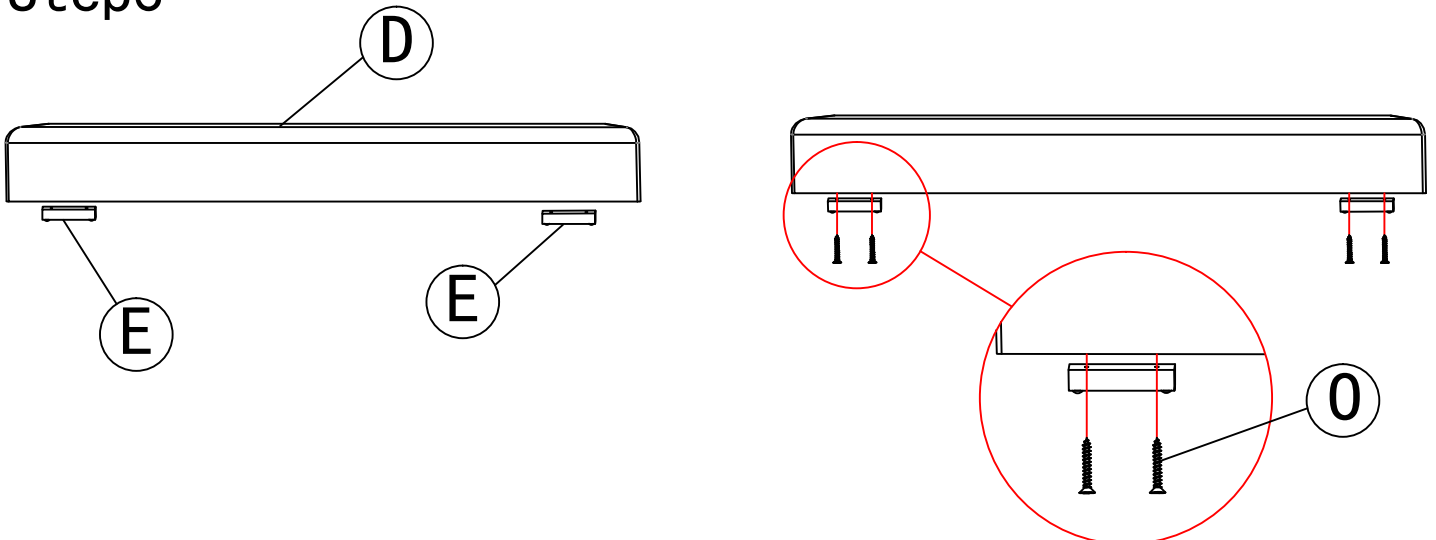
# Step1



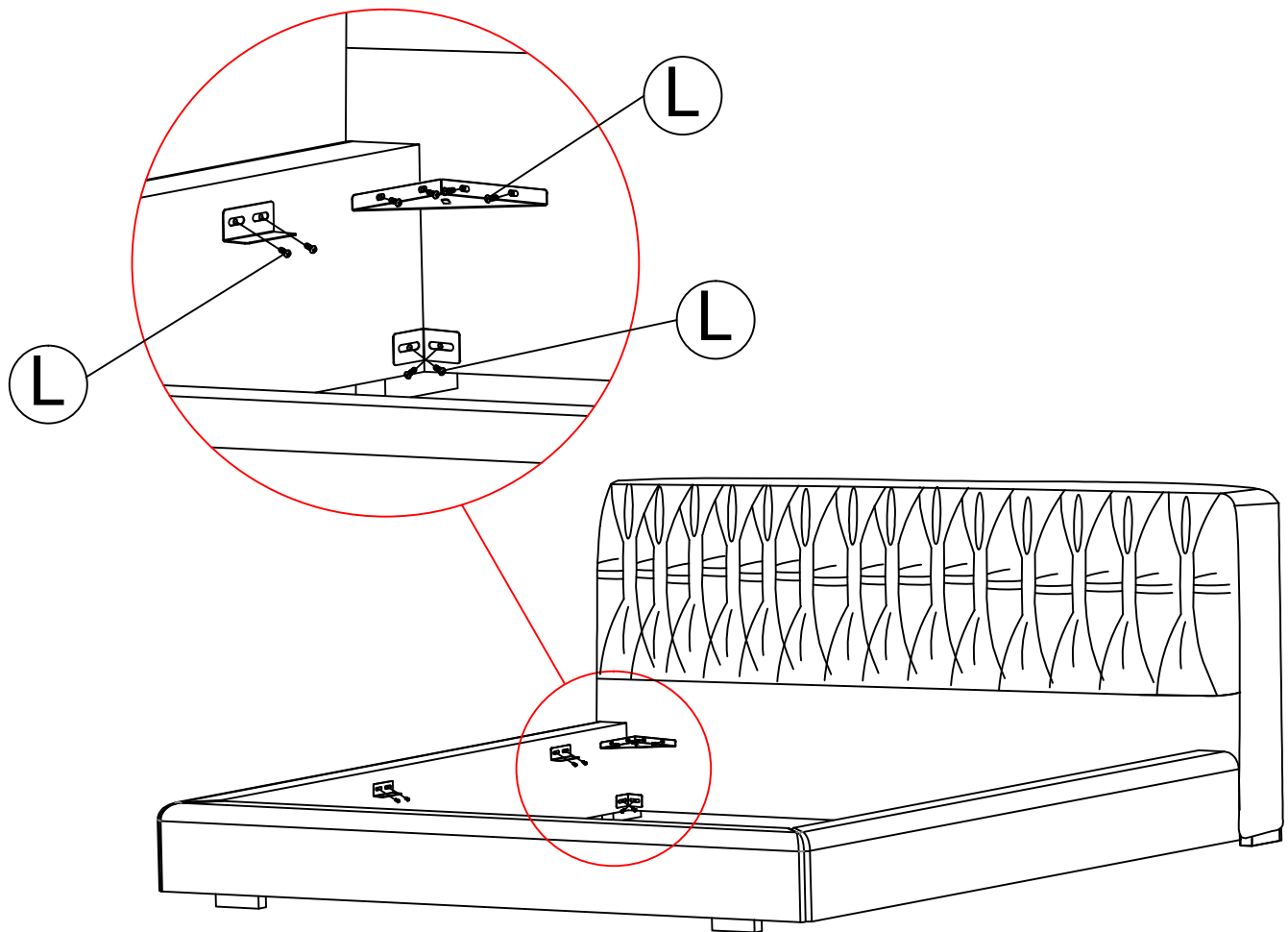
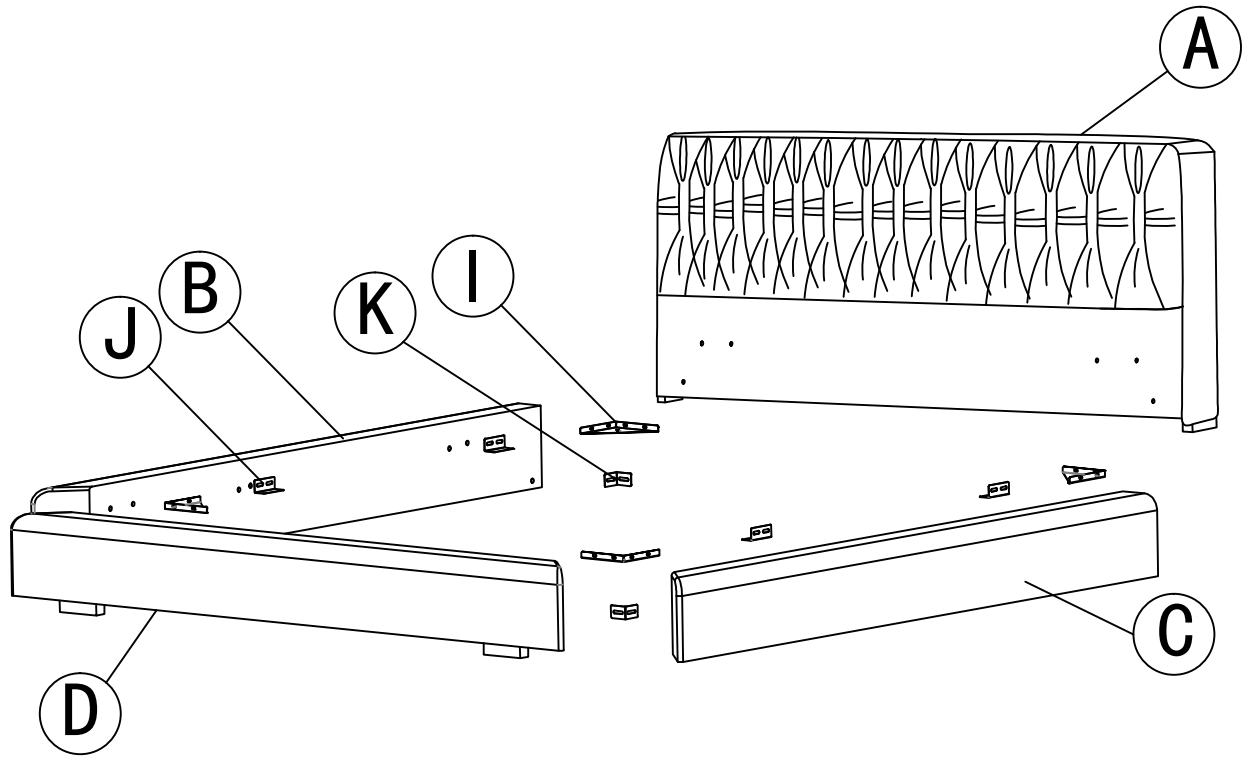
# Step2



# Step3



# Step4



# Step5

