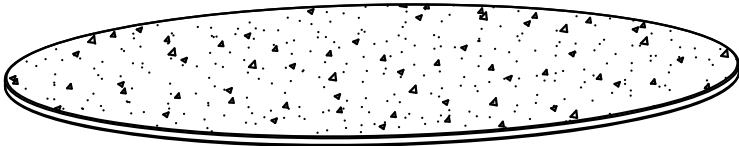
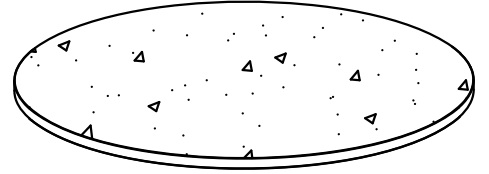


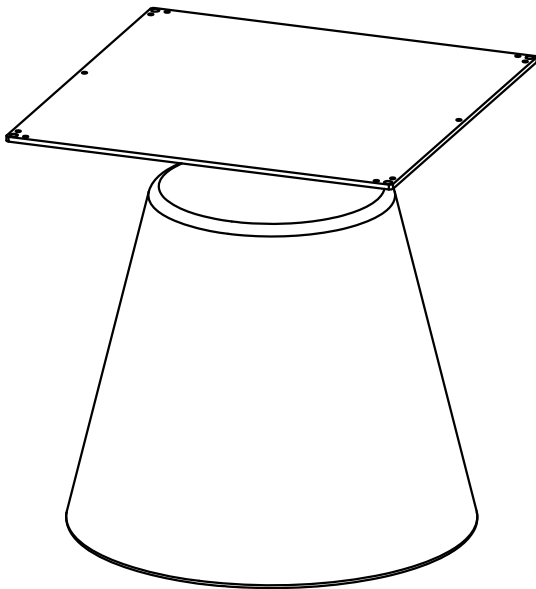
Ⓐ x1



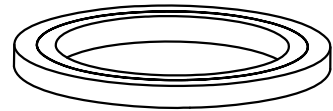
Ⓑ x1



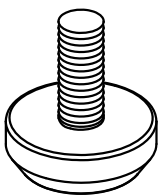
Ⓒ x1



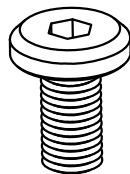
Ⓓ x1



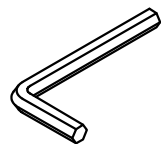
Ⓔ x6



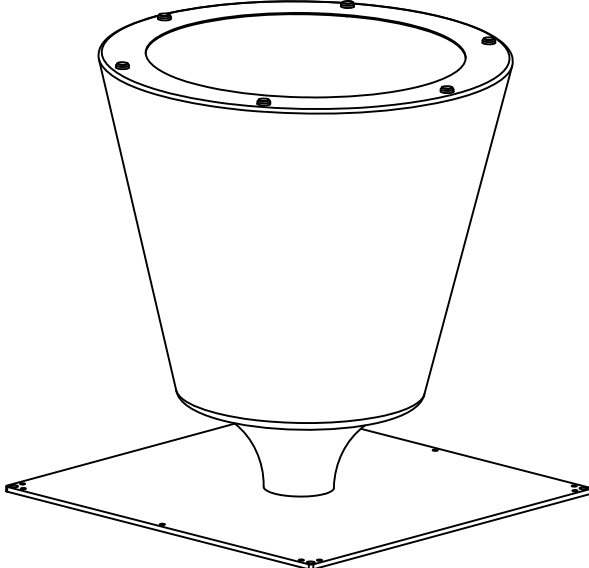
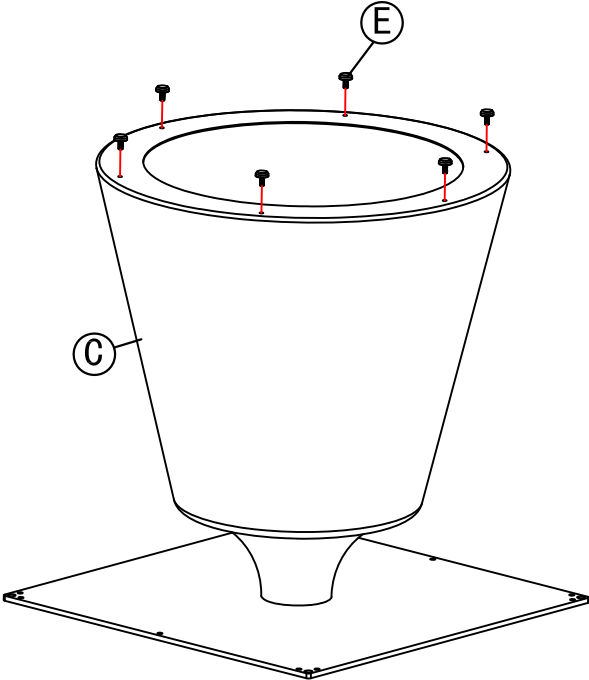
Ⓕ x10



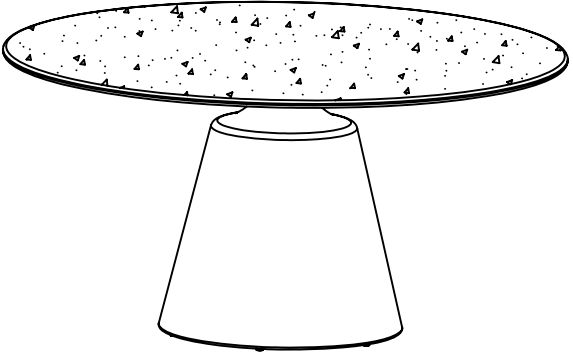
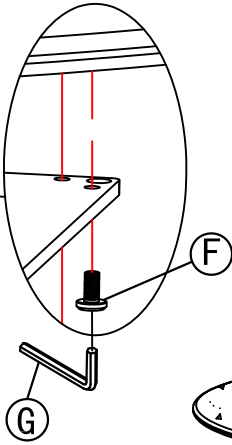
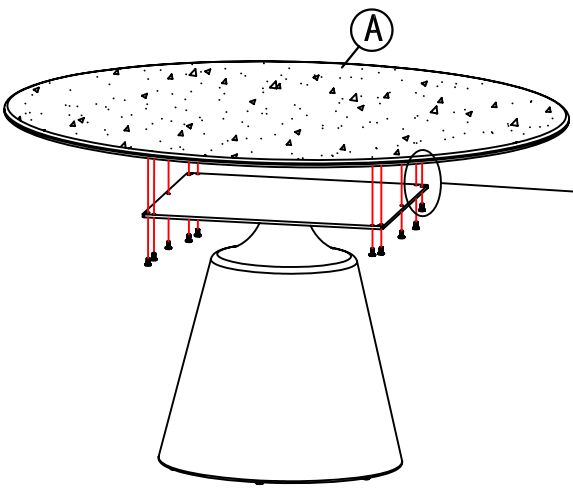
Ⓖ x1



# Step1



# Step2



# Step3

