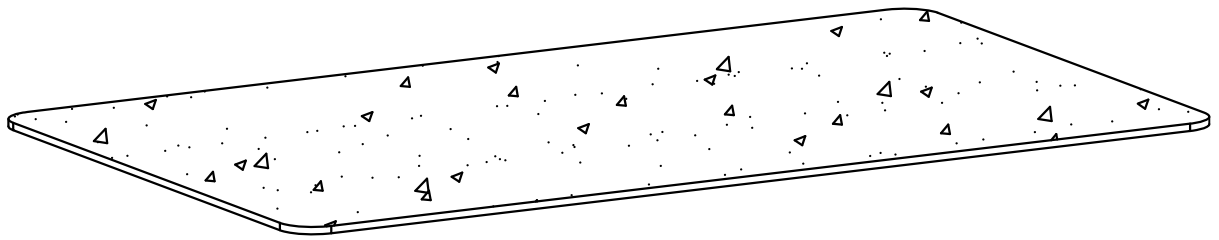
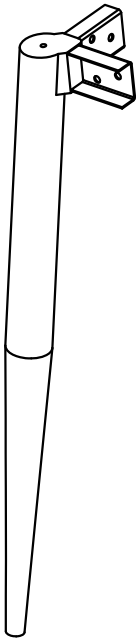


Ⓐ x1



Ⓑ x4



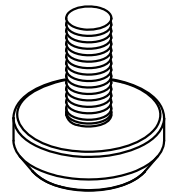
Ⓒ x2



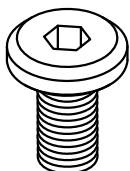
Ⓓ x2



Ⓔ x4



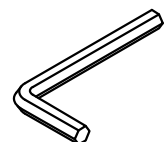
Ⓕ x24



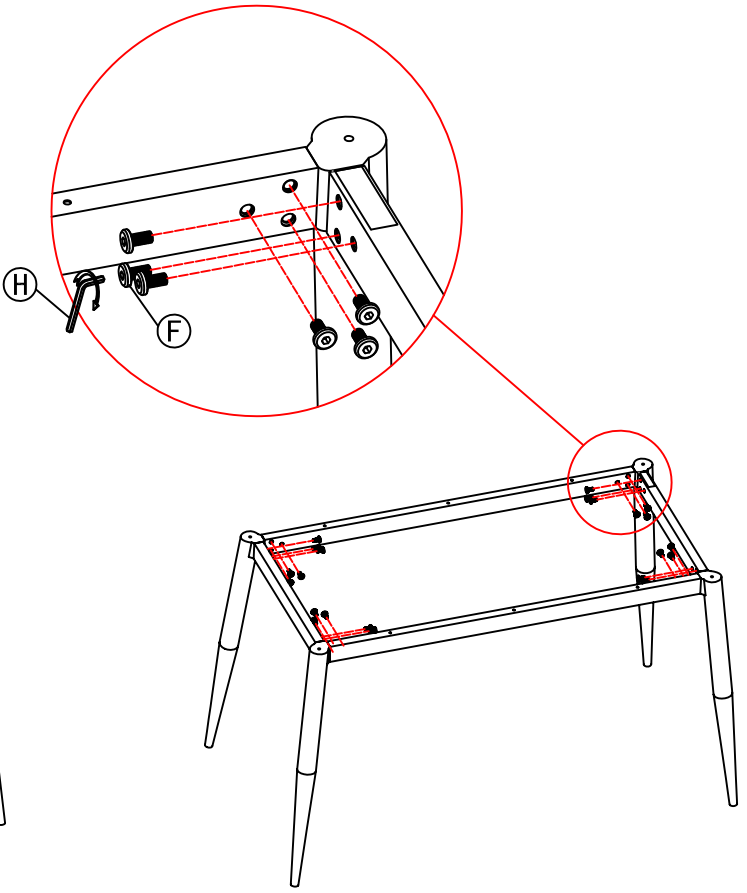
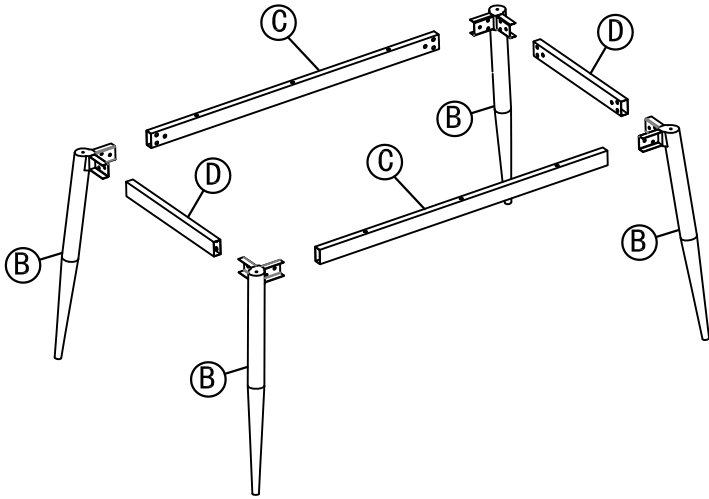
Ⓖ x6



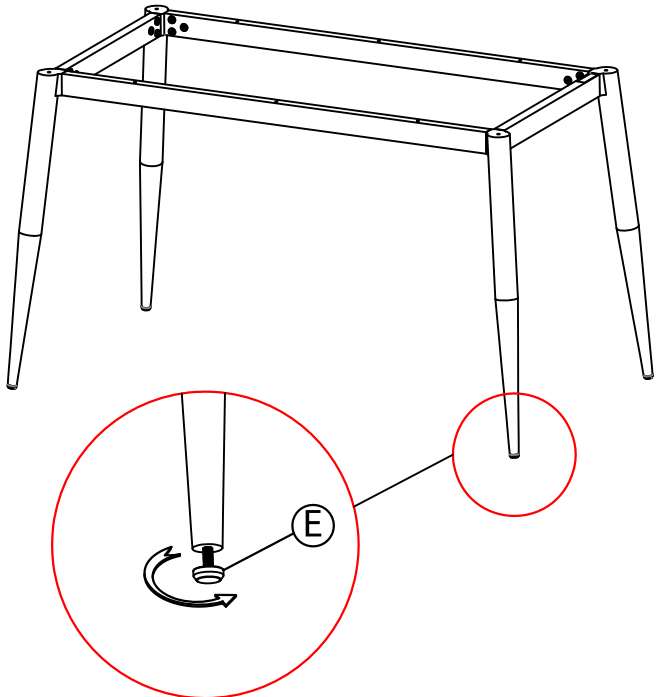
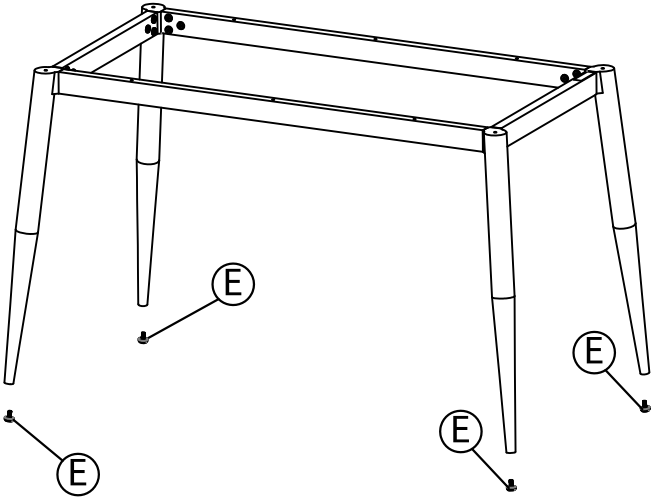
Ⓗ x1



Step1



Step2



Step3

