

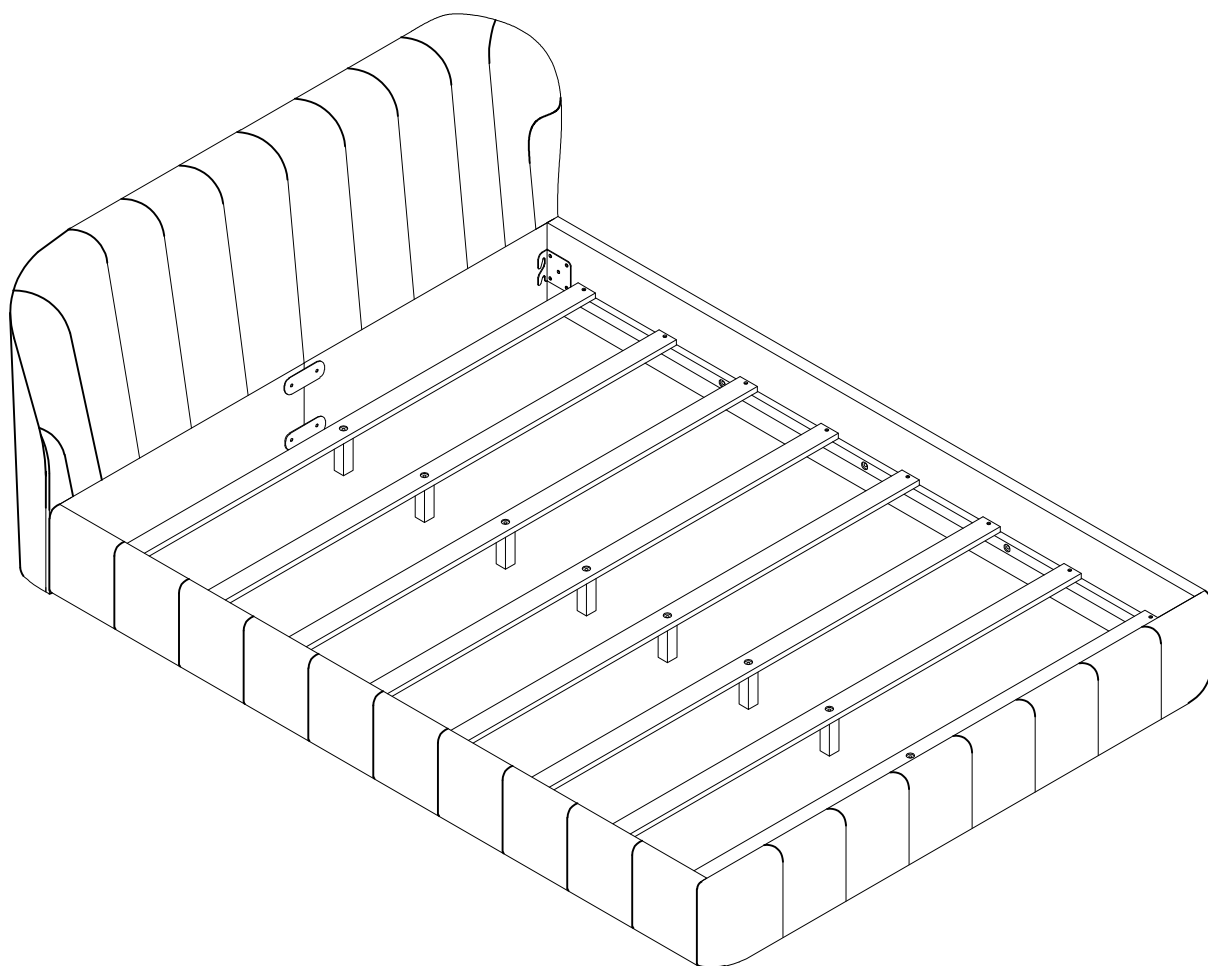
# OPERATION INSTRUCTIONS

## SOFTSEA

**WF317549/50/51**

-----

Please do not assemble until receiving the complete packages. If you have not received the complete packages, please be sure to contact us.



## **HEALTH CAUTION**

1. If you have any concerns regarding to your health, consult your doctor before using this product.
2. Individuals with pacemakers should not use this product.
3. If you have pain in a muscle or joint after using for a prolonged period of time, discontinue using and consult your doctor. Persist pain could be a symptom of a more serious condition.

## **MAINTAINANCE INSTRUCTIONS**

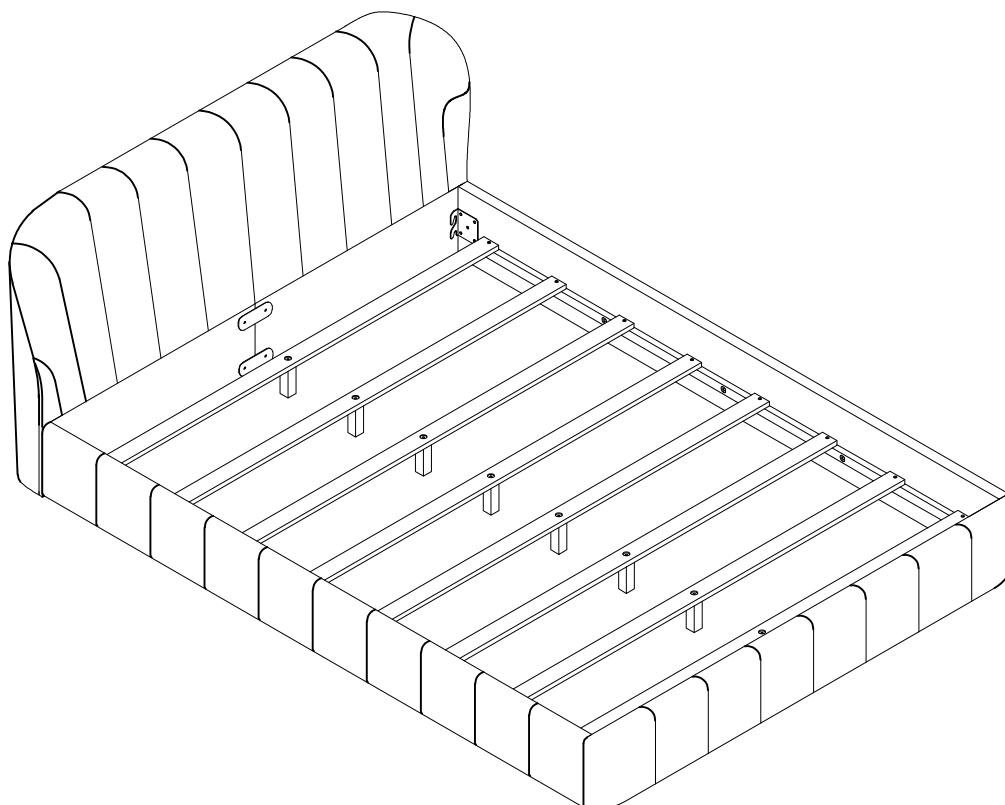
### **TO STORE:**

Place unit in its box or safety dry and cool place. Avoid putting chair in contact with sharp edges or pointed objects which might cut or puncture the fabric. Do not wrap attached power cord around the unit. Do not pull the unit by power cord.

### **TO CLEAN:**

1. Ensure the unit is unplugged from the power source, and allow the unit to cool down before cleaning.
2. Do not use any liquid to clean. Clean fabric cover by wiping with a damp sponge, using a mild detergent or suds. Pat with clean, dry cloth.
3. Do not use any abrasive cleaners, brushes, gasoline, kerosene, glass furniture polish, paint thinner or water hotter than 120°F to clean the unit.

## **ASSEMBLY INSTRUCTIONS**

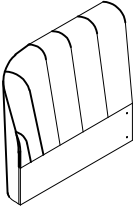



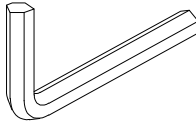


### **GENERAL ASSEMBLY INFORMATION GUIDE**

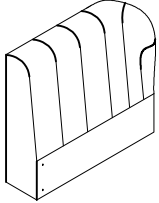



Please read the following instructions prior to assembling this product:

1. To avoid damage, assemble this product on a non-abrasive surface such as carpet.
2. Make sure all bolts are tightly fastened before use.
3. For home use or light commercial use only.
4. Please make sure you have all parts before assembly.

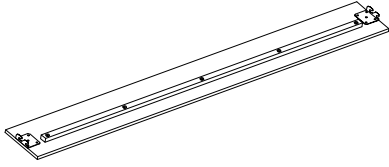
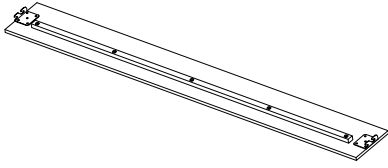
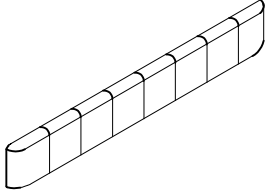

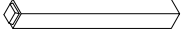


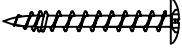
## WF317550-COMPONENT LIST

|   |                                 |   |                      |   |                               |
|---|---------------------------------|---|----------------------|---|-------------------------------|
| <b>A</b>  | Left Headboard                  | <b>G</b>  | Iron Bass            | <b>I</b>  | Allen Bolt 20mm<br>(1/4*20mm) |
|  |                                 |  |                      |  |                               |
| QTY 1 pc  |                                 | QTY 1 pc  |                      | QTY 4 pcs   |                               |
| <b>J</b>  | Flat Washer<br>(1/4"*Ø16*1.5mm) | <b>K</b>  | Allen Key<br>(M4*59) |   |                               |
|  |                                 |  |                      |   |                               |
| QTY 4 pcs   |                                 | QTY 1 pc  |                      |   |                               |

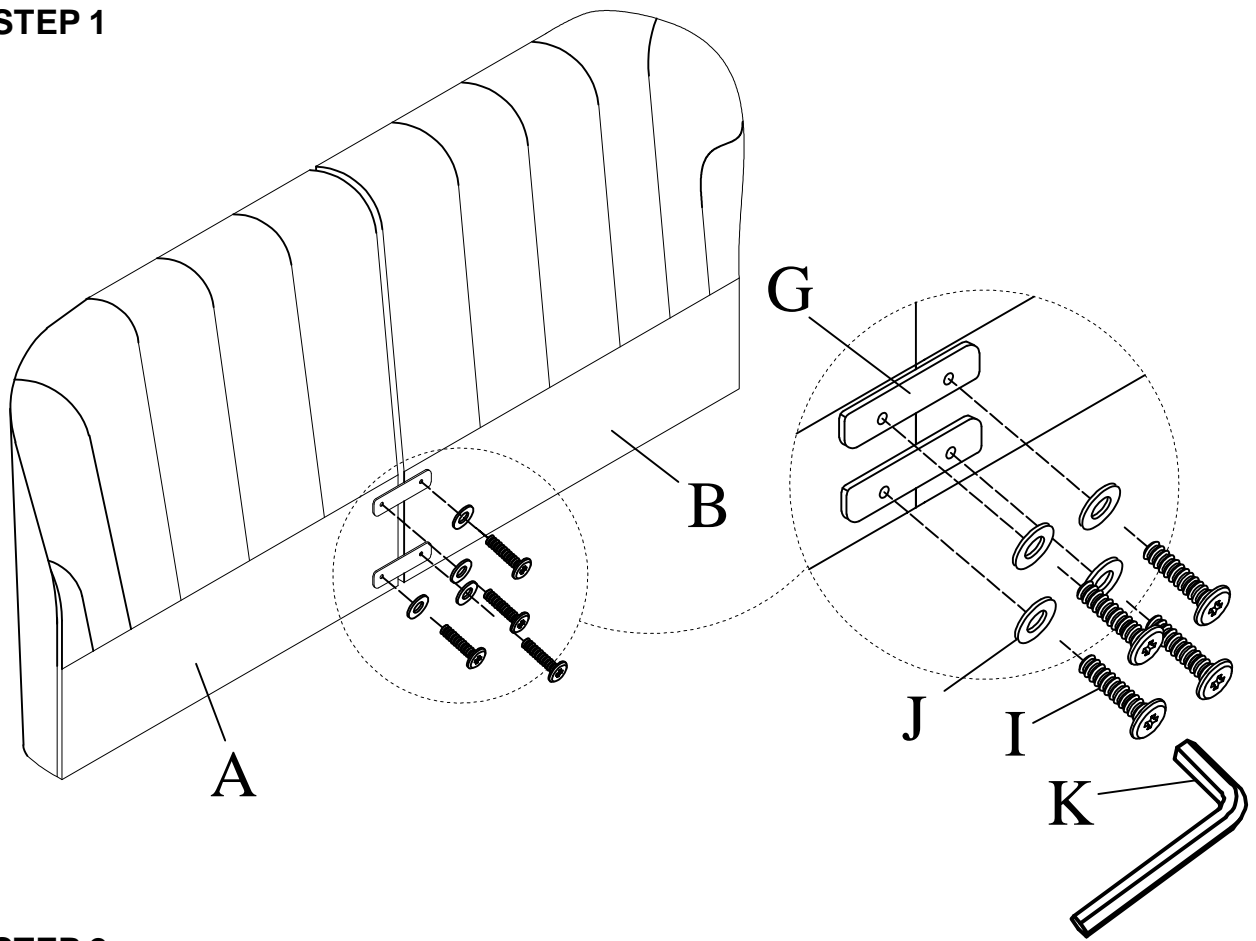
## WF317551-COMPONENT LIST

|   |                                 |   |           |   |                               |
|---|---------------------------------|---|-----------|---|-------------------------------|
| <b>B</b>  | Right Headboard                 | <b>G</b>  | Iron Bass | <b>H</b>  | Allen Bolt 20mm<br>(1/4*20mm) |
|  |                                 |  |           |  |                               |
| QTY 1 pc  |                                 | QTY 1 pc  |           | QTY 4 pcs   |                               |
| <b>I</b>  | Flat Washer<br>(1/4"*Ø16*1.5mm) |   |           |   |                               |
|  |                                 |   |           |   |                               |
| QTY 4 pcs   |                                 |   |           |   |                               |

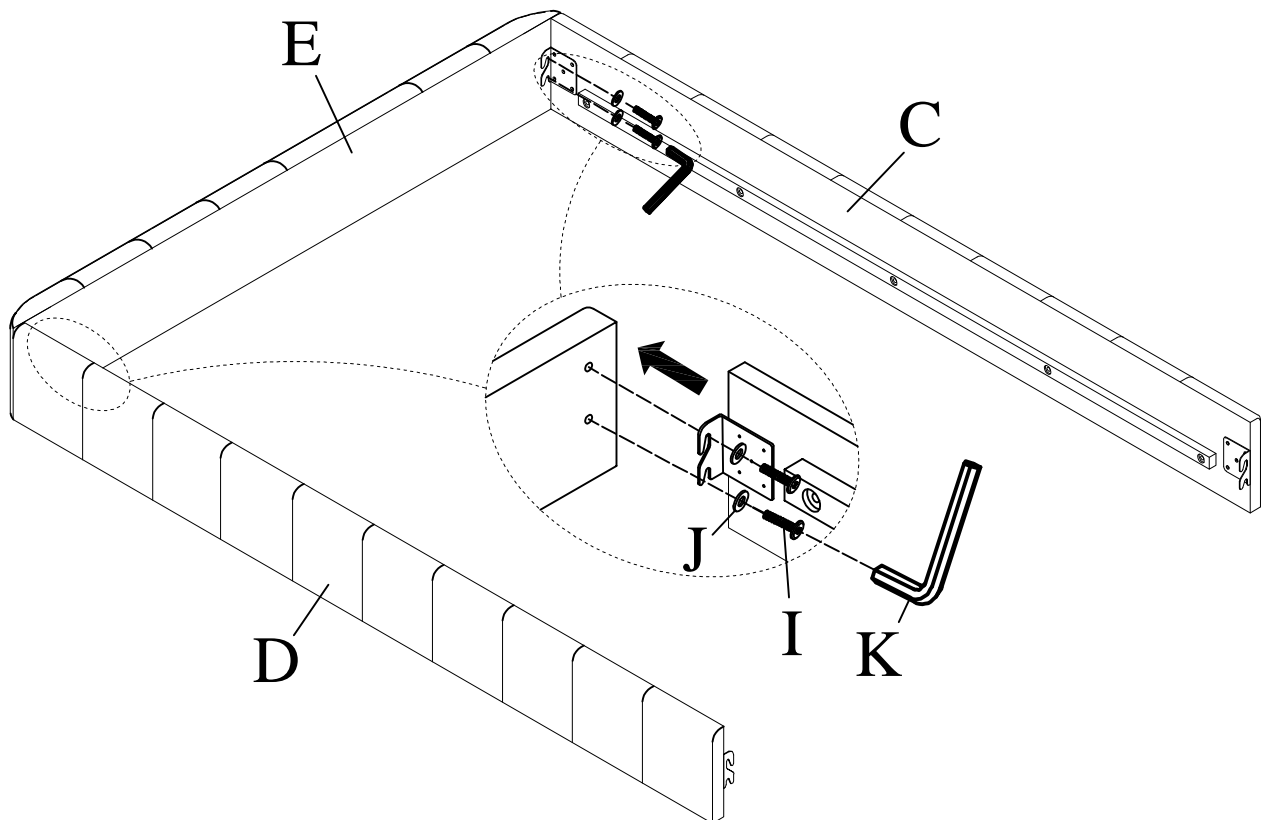
## WF317549-COMPONENT LIST

|   |  |   |
|---|--|---|
| <b>C</b> Side Rails RSF<br>                    | <b>D</b> Side Rails LSF<br>        | <b>E</b> Footboard<br>                     |
| QTY 1 pc  | QTY 1 pc   | QTY 1 pc  |
| <b>F</b> Slats<br>                             | <b>H</b> Support Legs<br>           | <b>I</b> Allen Bolt 20mm<br>(1/4*20mm)<br> |
| QTY 8 pcs   | QTY 8 pcs  | QTY 4 pcs   |
| <b>J</b> Flat Washer<br>(1/4"*Ø16*1.5mm)<br> | <b>L</b> Screw<br>(Ø4 x 30mm)<br> |   |
| QTY 4 pcs   | QTY 16 pcs   |   |

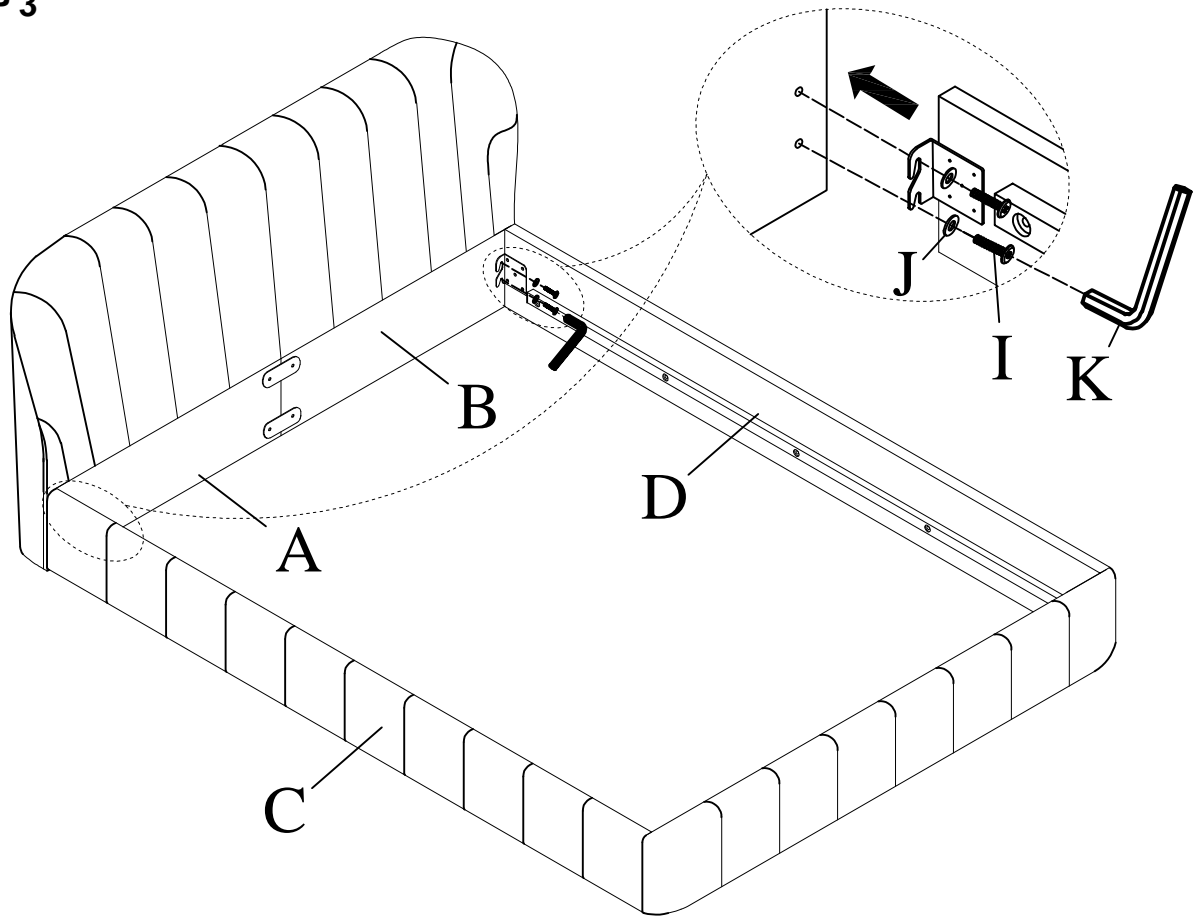
**STEP 1**



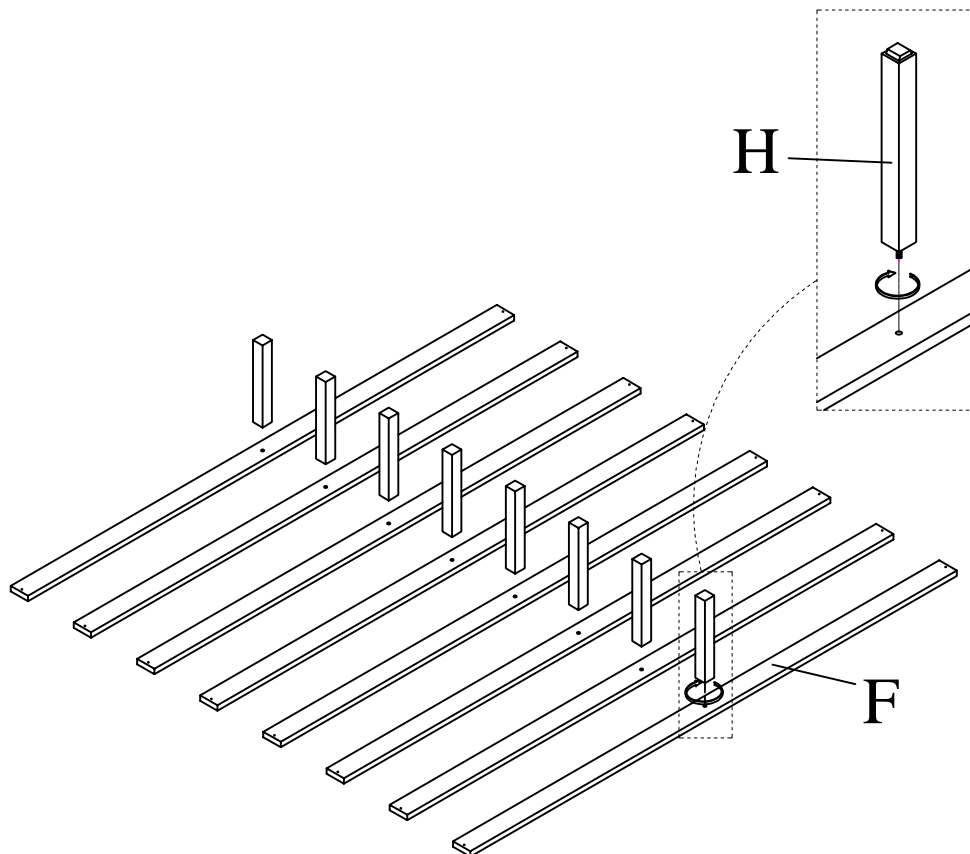
**STEP 2**



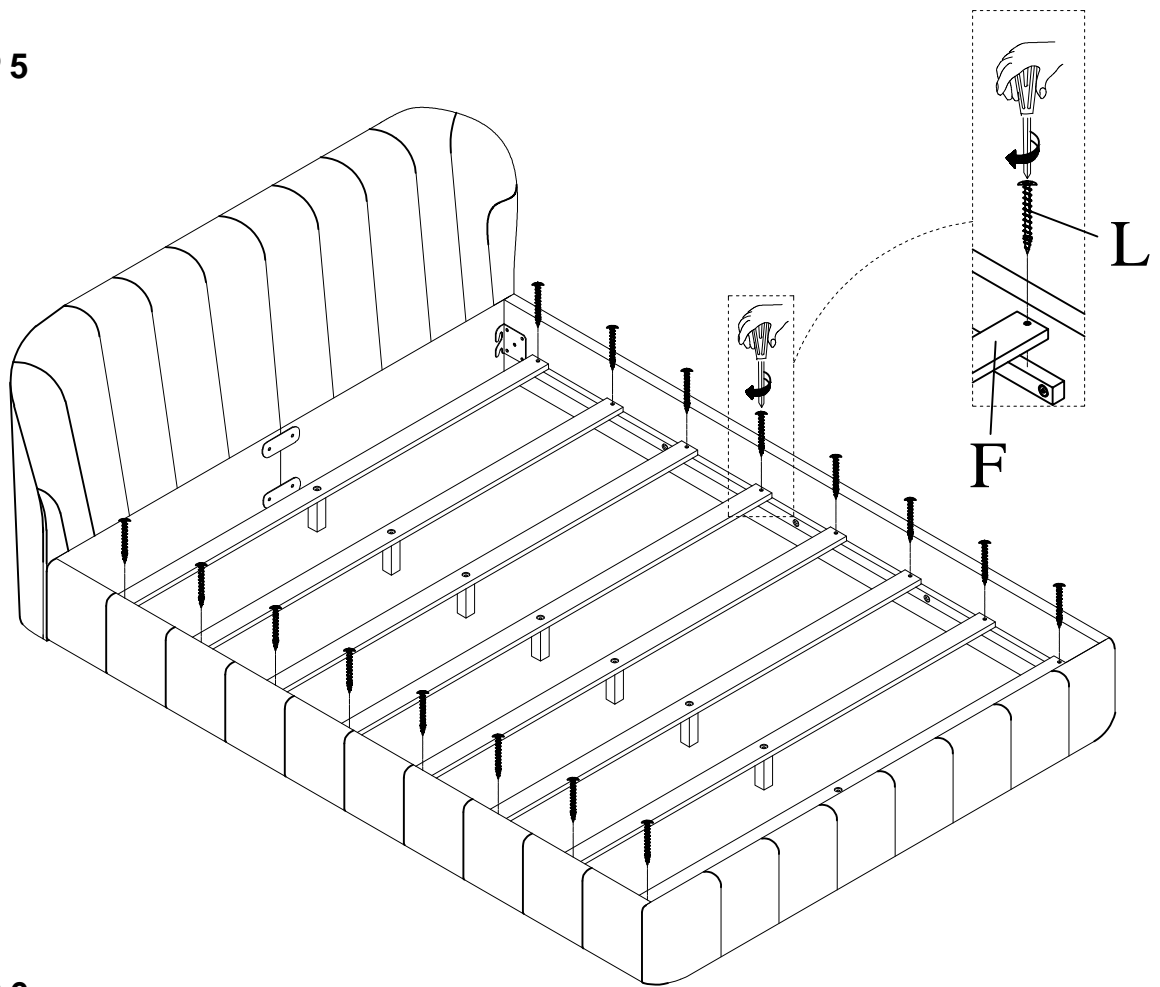
**STEP 3**



**STEP 4**



**STEP 5**



**STEP 6**

