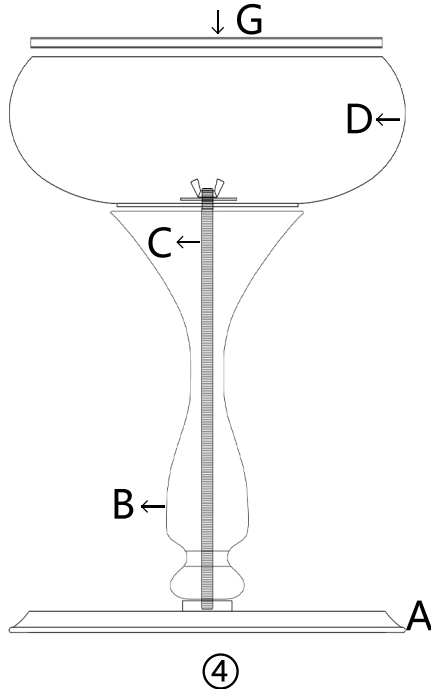
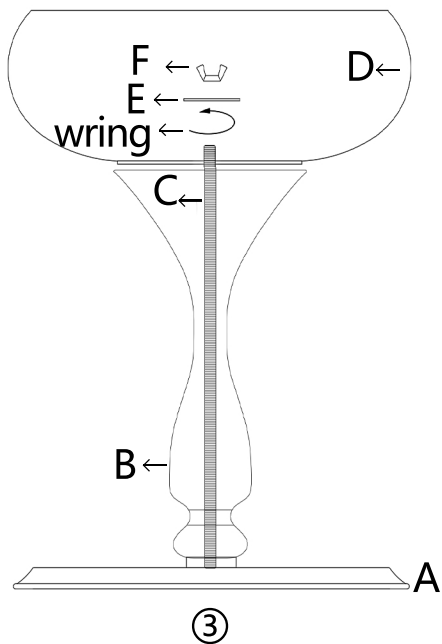
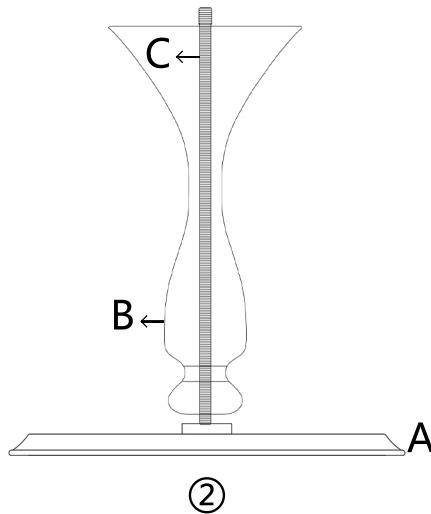
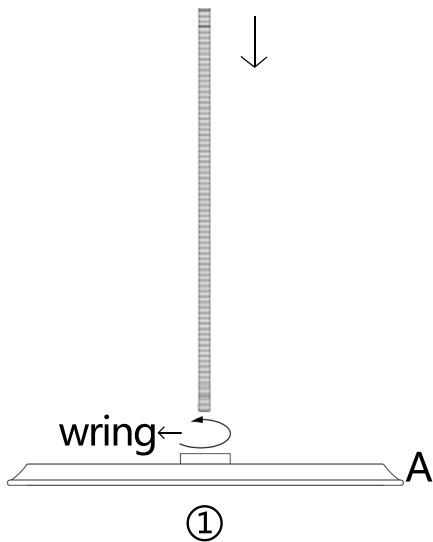

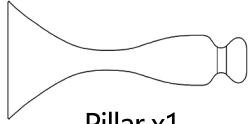







Assembly Instructions



A	 Table top x1
B	 Pillar x1
C	 Screw pole x1
D	 Table base x1
E	 Washer x1
F	 Screw nut x1
G	 Non-slip sticker x1

Warming Notes : 1. Please follow the steps strictly to install;

2. Please clean with a dry cloth and keep the table dry .